

Fig. 1, EVM (NC) with flange connection of armature tube, previous design

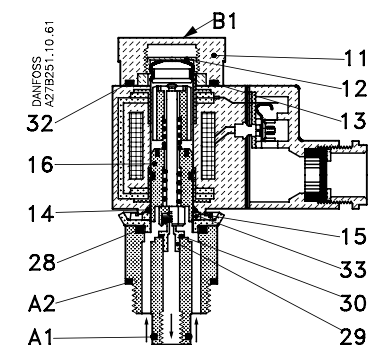


Fig. 2 EVM, (NO) with flange connection of armature tube, previous design

Description	Qty	Code no.
EVM (NC), fig. 1		
Service kit		032F0201
Pos. 11 Nut	1	
12 Snap fastener	1	
13 O-ring	1	
14 O-ring	1	
15 Screw	4	
16 NC armature assembly, teflon	1	
28 Rubber gasket	1	
29 Orifice	1	
30 Alu gasket	1	
A1 O-ring	1	
A2 Gasket	1	
EVM (NO), fig. 2		
Service kit		032F0199
Pos. 11 Nut	1	
12 Snap fastener	1	
13 O-ring	1	
14 O-ring	1	
15 Screw	4	
16 NO armature assembly, teflon	1	
28 Rubber gasket	1	
29 Orifice	1	
30 Alu gasket	1	
32 Spacer	1	
33 Spacer ring	1	
A1 O-ring	1	
A2 Gasket	1	
EVM (NC), fig. 1		
Seal kit		018Z0093
Pos. 11 Nut	1	
12 Snap fastener	1	
13 O-ring	1	
14 O-ring	1	
B1 Label	1	
EVM (NC/NO), fig. 1 and 2		
Seal kit		032F0209
Pos. 13 O-ring	1	
14 O-ring	1	
28 Rubber gasket	1	
30 Alu gasket	1	
A1 O-ring	1	
A2 Gasket	1	
EVM (NC/NO), fig. 1 and 2		
Seal kit		027F0666
Pos. A1 O-ring	1	
A2 Gasket	1	