

Fig. 1

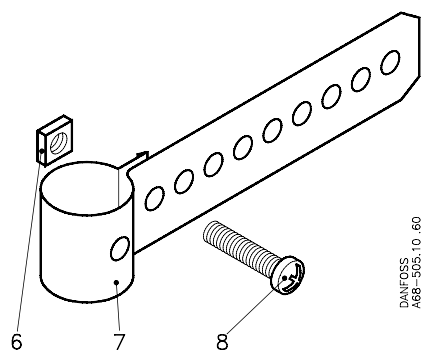


Fig. 2

Description	Qty	Min. delivery qty (industrial pack)	Code no.
<b>Filter, fig. 1</b>			
Pos. 5 Filter Orifice 0-4		24	<b>068U0016</b> <b>068U1706</b>
5 Filter Orifice 5-9		24	
<b>Gasket, fig. 1</b>			
Pos. 6 Gasket		24	<b>068U0015</b>
<b>Accessories</b>			
<b>Bulb strap, fig. 2</b> for max. dia. 22 mm tube			
Pos. 6 Nut	1		<b>068-1211</b>
7 Strap	1		
8 Screw	1		
<b>Bulb strap, fig. 2</b> for max. dia. 22 mm tube			
Pos. 6 Nut		48	<b>068N2532</b>
7 Strap		48	
8 Screw		48	
<b>Bulb strap, fig. 2</b> for max. dia. 35 mm tube			
Pos. 6 Nut	1		<b>068-1212</b>
7 Strap	1		
8 Screw	1		
<b>Bulb strap, fig. 2</b> for max. dia. 35 mm tube			
Pos. 6 Nut		48	<b>068-1230</b>
7 Strap		48	
8 Screw		48	