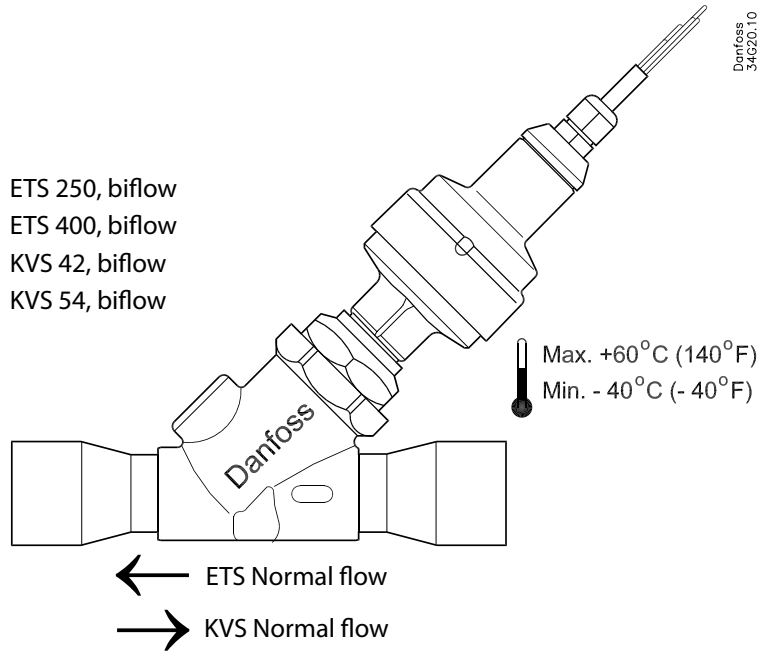


034R9513

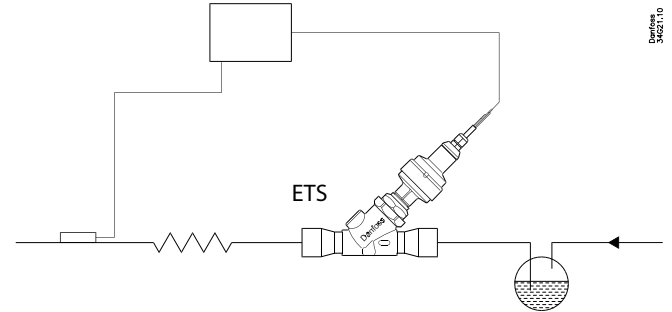
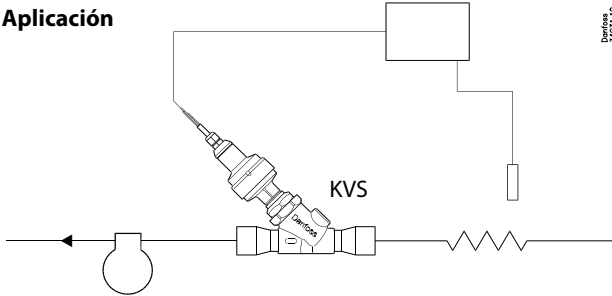
034R9513

Tilladt omgivelsestemperatur
 Allowable ambient temperature
 Zulässige Umgebungstemperatur
 Température ambiante admissible
 Temperatura ambiente permisible

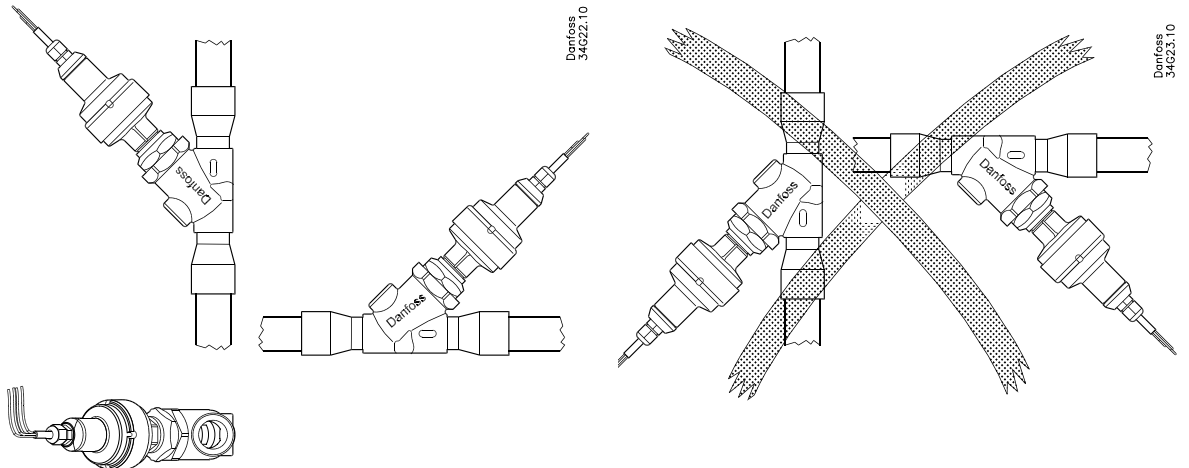
ETS 250, biflow
 ETS 400, biflow
 KVS 42, biflow
 KVS 54, biflow



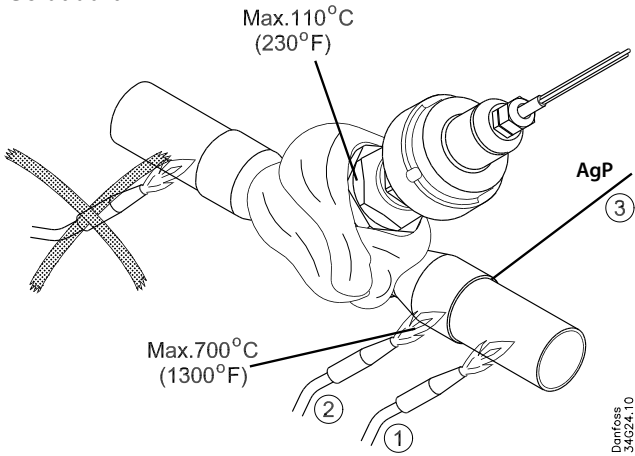
Anvendelse
 Application
 Anwendung
 Application
 Aplicación



Montage
 Mounting
 Einbau
 Montage
 Instalación

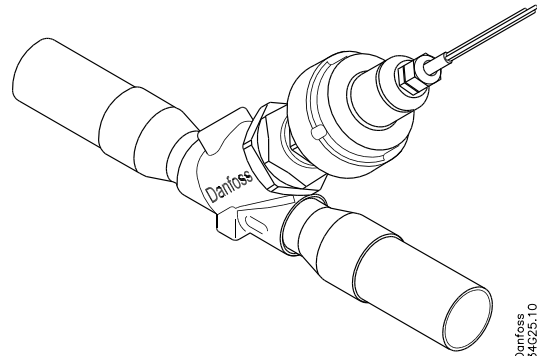


Lodning
Brazing
Löten
Soudure
Soldadura



Danfoss
34C24.10

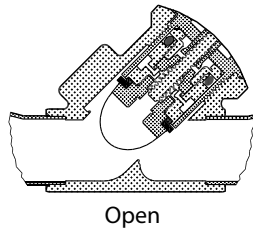
Max. tryk
Max. pressure
Max. Druck
Pression maximale
Presión máx.



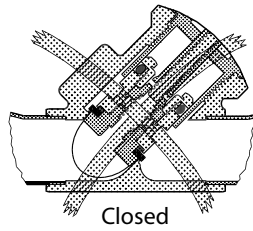
Danfoss
34C25.10

PS/MWP = 34 bar (493 psig)
 PT = 49 bar (711 psig)

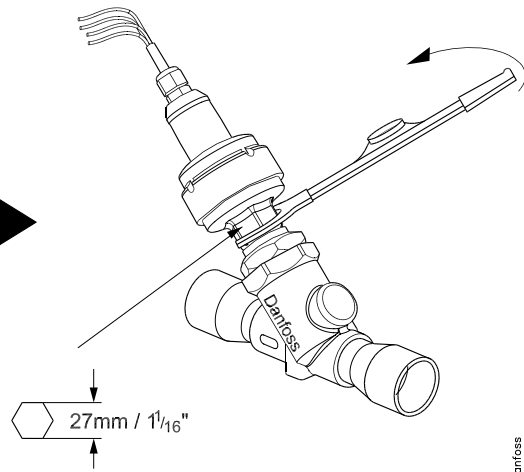
Adskillelse
Disassembling
Zerlegung
Désassemblage
Desmontaje



Open

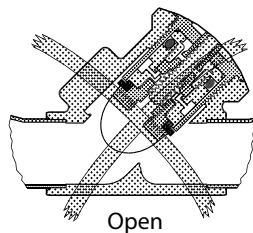


Closed

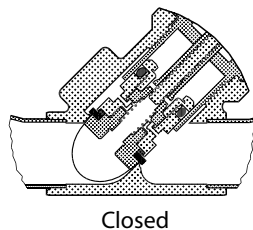


Danfoss
34C26.10

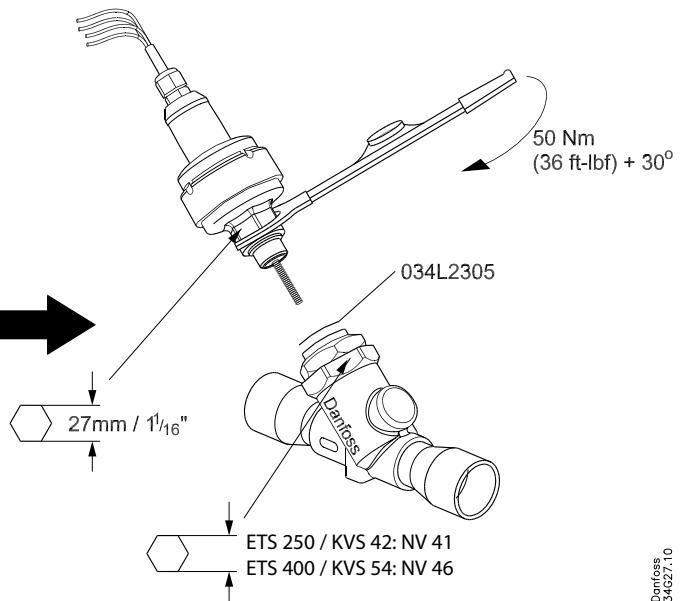
Samling
Assembling
Zusammenbau
Assemblage
Montaje



Open

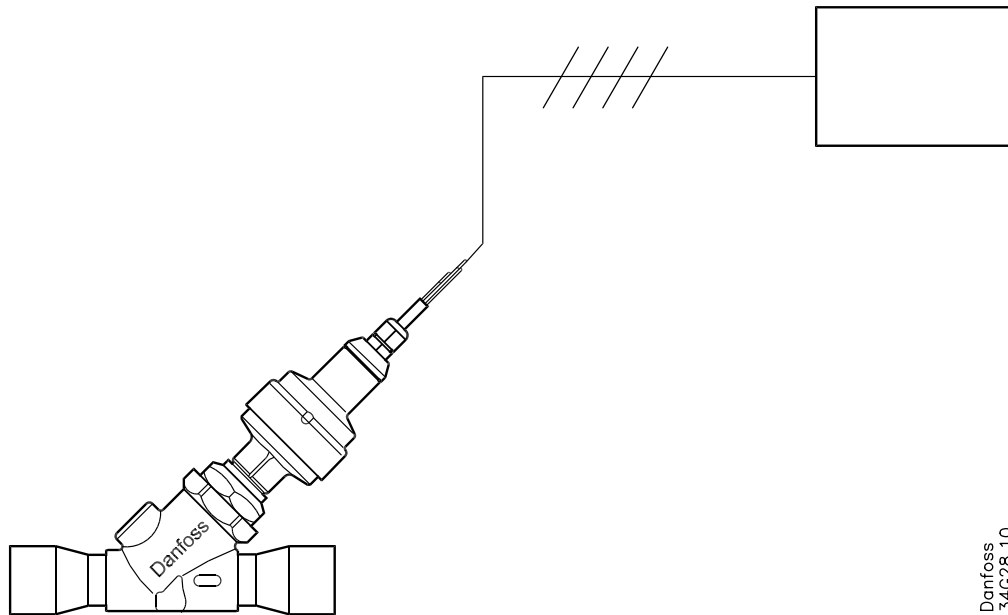


Closed



Danfoss
34C27.10

Tilslutning
Connection
Anschluss
Raccordement
Conexión



Danfoss
 34C28.10

Stepper motor switch sequence:

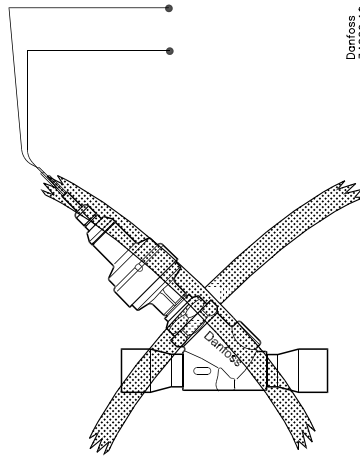
	STEP	Coil I		Coil II		
		Red	Green	White	Black	
↑ CLOSING ↑	1	+	-	+	-	↓ OPENING ↓
	2	+	-	-	+	
	3	-	+	-	+	
	4	-	+	+	-	
	1	+	-	+	-	

Electrical specifications

Parameter	ETS 250 and 400 / KVS 42 and 54
Stepper motor type	Bi-polar - permanent magnet
Step mode	2 phase full step
Phase resistance	52Ω ±10%
Phase inductance	85 mH
Holding current	Depends on application. Full current allowed (100% duty cycle)
Step angle	7.5° (motor), 0.9° (lead screw), Gearing ration 8.5:1. (38/13) ² :1
Nominal voltage	(Constant voltage drive) 12 V dc -4% +15%, 150 steps/sec.
Phase current	(Using chopper drive) 100 mA RMS -4% +15%,
Max. total power	Voltage / current drive: 5.5 / 1.3 W (UL: NEC class 2)
Step rate	150 steps/sec. (constant voltage drive) 0-300 steps/sec. 300 recommended (chopper current drive)
Total steps	3810 [+160 / -0] steps
Full travel time	25.4 / 12.7 sec. (voltage / current)
Lifting height	17.2 mm
Reference position	Overdriving against the full close position
Electrical connection	4 wire 0.5 mm ² (0.02 in ²), 2 m (6.5 ft) long cable

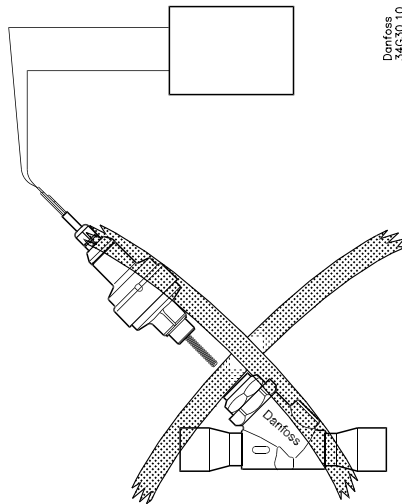


Advarsel!
Warning!
Achtung!
Attention !
Advertencia



Danfoss
34629.10

Ventilen må ikke tilsluttes direkte.
Do not apply power directly to valve.
Das Ventil darf nicht direkt angeschlossen werden.
Ne pas raccorder l'alimentation électrique directement sur la vanne
No aplicar tensión directamente a la válvula



Danfoss
34630.10

Tilslut aldrig spænding til en usamlet ventil.
Do not apply power to unassembled valve.
Das Ventil darf nur wenn komplett zusammengebaut angeschlossen werden.
Ne pas raccorder l'alimentation électrique
sur une vanne non assemblée.
No aplicar tensión a la válvula desmontada.