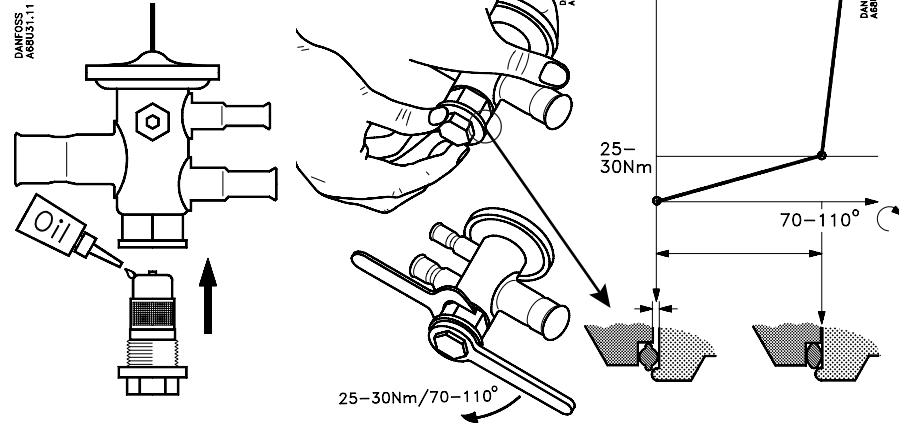




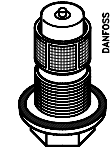
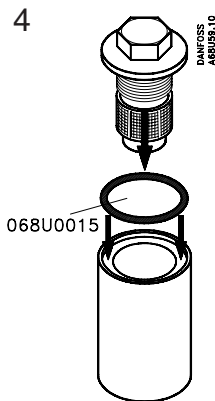
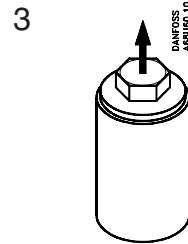
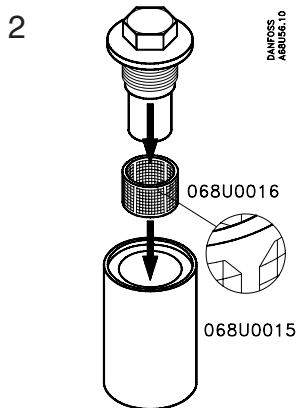
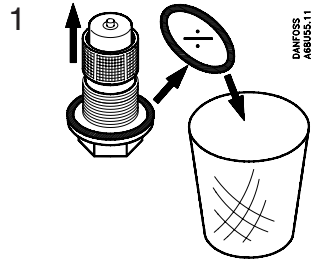
068R9549

068R9549



$P_{test} = \text{max. } 36 \text{ bar (520 psig)}$

571



Range N:  $-40 \rightarrow +10 \text{ } ^\circ\text{C} / -40 \rightarrow +50 \text{ } ^\circ\text{F}$

Orifice no.	Rated capacity in kW					Rated capacity in tons (TR)					Code no.
	R 22	R 134a	R 404A	R 407C	R 507	R 22	R 134a	R 404A	R 407C	R 507	
0	0.60	0.47	0.47	0.63	0.45	0.17	0.13	0.13	0.18	0.13	068U1030
1	0.9	0.7	0.70	0.92	0.66	0.25	0.19	0.19	0.26	0.19	068U1031
2	1.3	1.0	1.0	1.4	1.0	0.36	0.28	0.28	0.38	0.27	068U1032
3	1.8	1.4	1.4	1.9	1.3	0.50	0.39	0.39	0.53	0.38	068U1033
4	2.6	2.1	2.1	2.8	2.0	0.75	0.59	0.60	0.80	0.57	068U1034
5	3.5	2.7	2.8	3.8	2.7	1.00	0.78	0.79	1.1	0.76	068U1035
6	5.3	4.1	4.2	5.7	4.0	1.5	1.2	1.2	1.6	1.1	068U1036
7	7.0	5.5	5.6	7.5	5.3	2.0	1.6	1.6	2.1	1.5	068U1037
8	11.0	8.2	8.4	11.0	8.0	3.0	2.3	2.4	3.2	2.3	068U1038
9	16.0	12.0	12.0	17.0	12.0	4.5	3.5	3.5	4.8	3.4	068U1039

Range B:  $-60 \rightarrow -25 \text{ } ^\circ\text{C} / -75 \rightarrow -15 \text{ } ^\circ\text{F}$

Orifice no.	Rated capacity in kW				Rated capacity in tons (TR)				Code no.
	R 22	R 404A	R 407C	R 507	R 22	R 404A	R 407C	R 507	
0	0.52	0.36	0.46	0.39	0.15	0.10	0.13	0.11	068U1030
1	0.68	0.50	0.58	0.53	0.19	0.14	0.16	0.15	068U1031
2	0.85	0.64	0.70	0.70	0.24	0.18	0.20	0.20	068U1032
3	1.2	0.89	1.0	1.0	0.34	0.25	0.28	0.28	068U1033
4	1.8	1.3	1.4	1.4	0.50	0.37	0.41	0.41	068U1034
5	2.3	1.8	1.9	1.9	0.66	0.50	0.55	0.55	068U1035
6	3.5	2.7	2.9	2.9	1.0	0.75	0.82	0.82	068U1036
7	4.7	3.5	3.9	3.9	1.3	1.0	1.1	1.1	068U1037
8	7.1	5.3	5.8	5.8	2.0	1.5	1.6	1.7	068U1038
9	10.4	7.8	8.5	8.6	2.9	2.2	2.4	2.4	068U1039