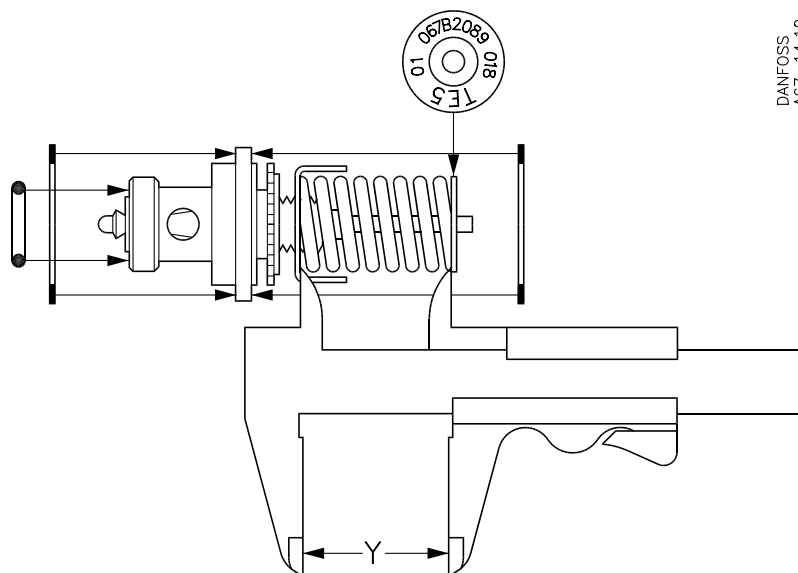


067R9500

067R9500



Valve type	Orifice no.	Orifice code no.	Y = ±1 mm				
			R 12	R 22	R 134a	R 404A	R 502
TE 5	01	<b>067B2089</b>	28	26	27	27.5	26
TE 5	02	<b>067B2090</b>	28	26	27	27.5	26
TE 5	03	<b>067B2091</b>	28	26	27	27.5	26
TE 5	04	<b>067B2092</b>	28	26	27	27.5	26
PHT		<b>068B2090</b>	27	27	26	27.5	27