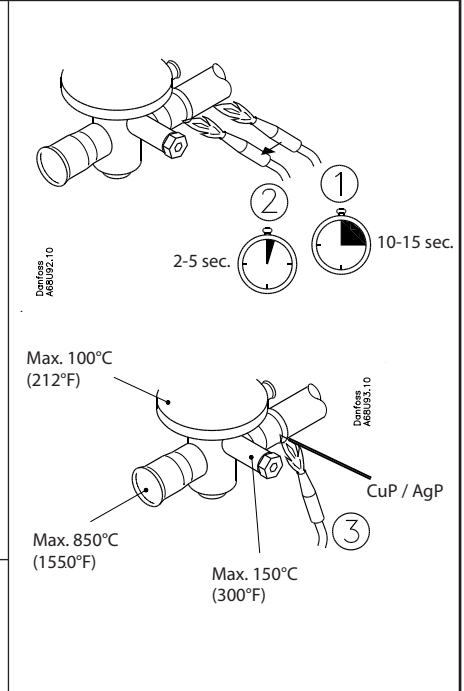
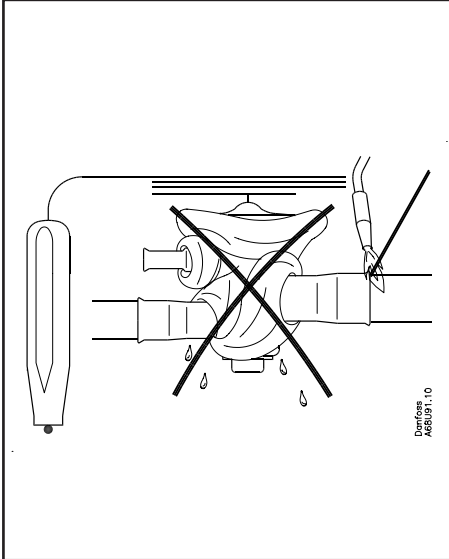


Type TC

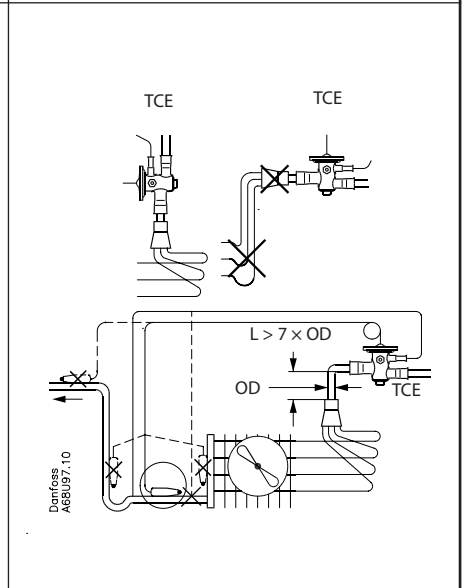
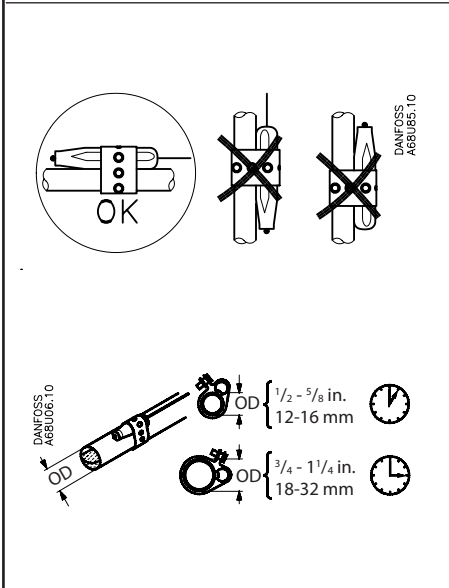
068R9552

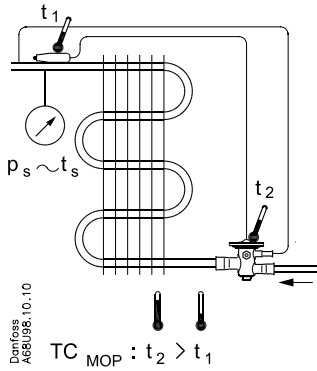
068R9552



P_{test} (excl. R410A) = max. 37.5 bar (540 psig)

P_{test} (R410A) = max. 47 bar (680 psig)

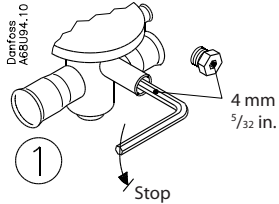




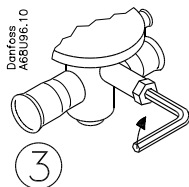
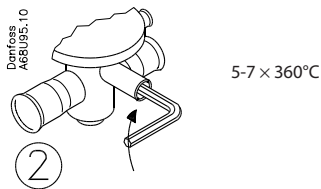
SS = Static Superheat

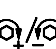


N, B: 5°C (9°F)
N_{MOP}, NM: 4°C (7°F)
B_{MOP}: 4°C (7°F)



SS = Static Superheat



R22 R407C	R134a	R404A R507	R410A	Δ SS 1 x  DANFOSS A6B/U96.10
	N			1°C (1.8°F)
N	NM	N,B	N,B	1.5°C (2.7°F)
NM,B		NM	NM	2°C (3.6°F)