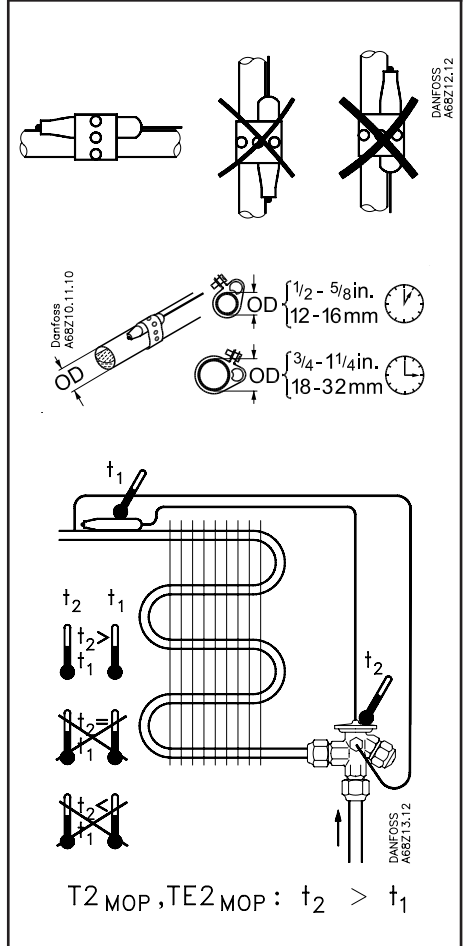
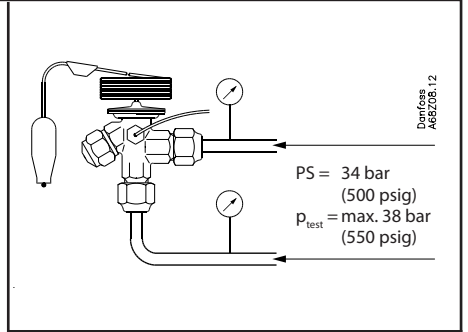
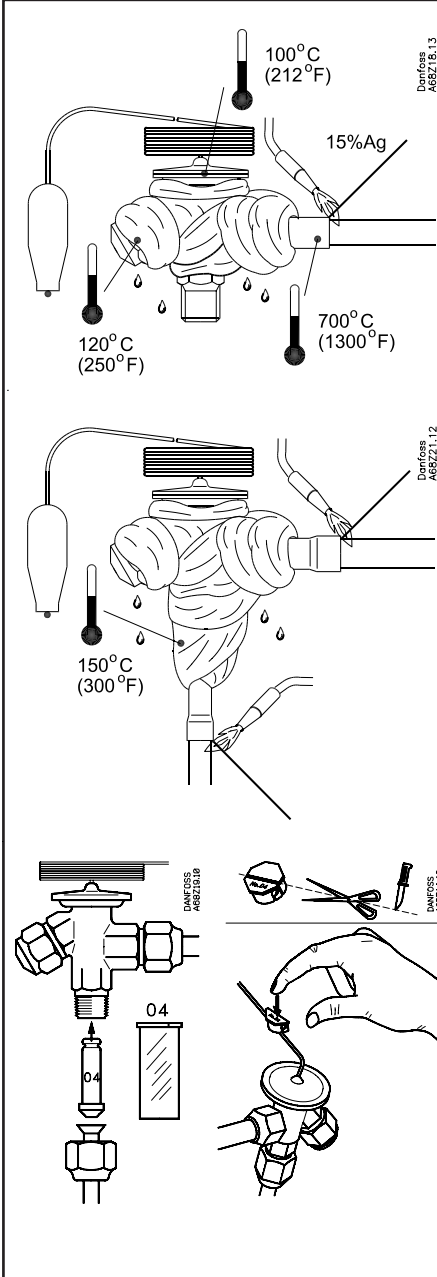
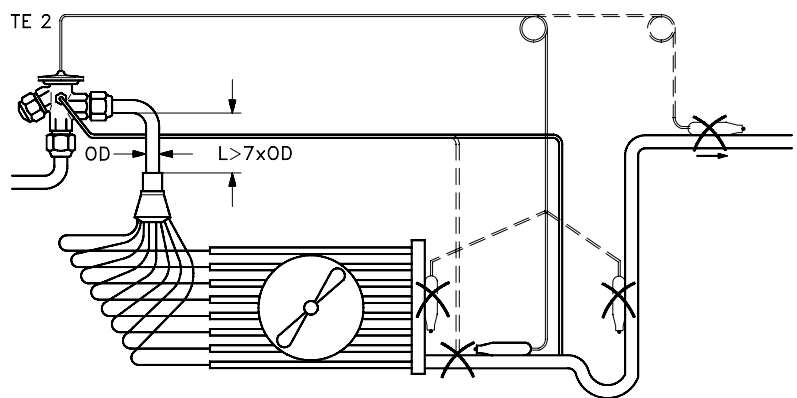
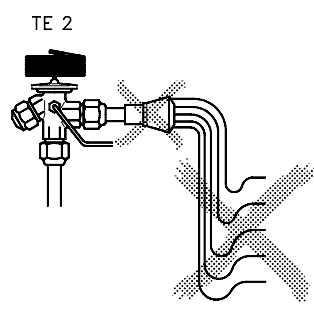
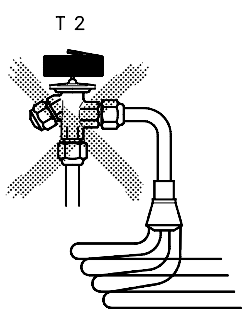


068R9536



068R9536

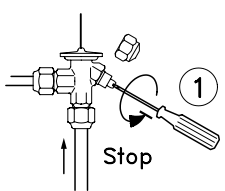


SH= SuperHeat
Danfoss

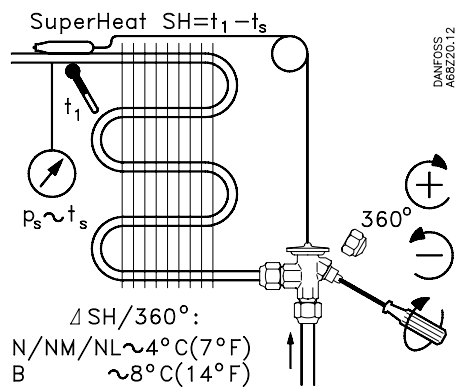
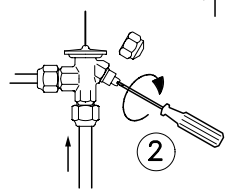
| | |
|----------------|---------------------------|
| N, B | N, NL B _{MOP} |
| 5 °C (9 °F) | 4 °C (7 °F) |

DANFOSS
A6BZ15.12

SH= SuperHeat
Danfoss



N, B ~ 3x360°
NM, NL, B_{MOP} ~ 2x360°



4 SH/360°:
N/NM/NL ~ 4 °C (7 °F)
B ~ 8 °C (14 °F)

DANFOSS
A6BZ20.12