

014R9572

HFC
HCFC
CFC

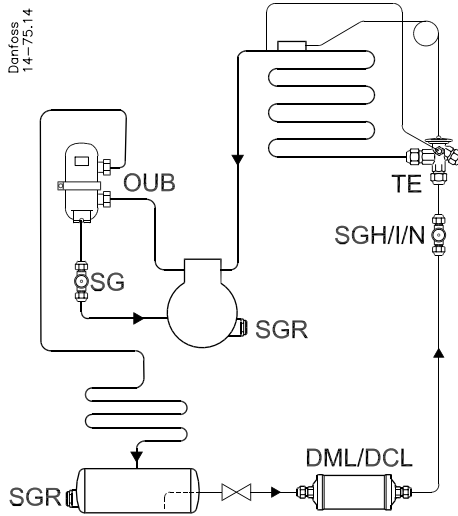


-50°C → +80°C
(-58°F → +175°F)

PS/MWP

SG/SGR/SGI/SGRI/SGN/SGRN	6(s) → 22(s)	PS/MWP = 35 bar
SGH / SGRH	6(s) → 22s	PS/MWP = 46 bar

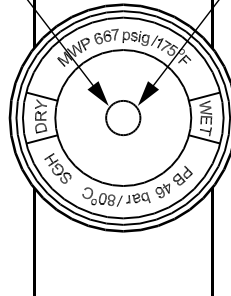
014R9572



SGH / SGRH:



Green
Grøn
Grün
Vert
Verde

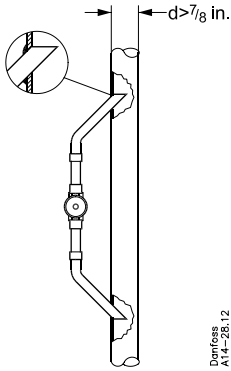


Yellow
Gul
Gelb
Jaune
Amarillo

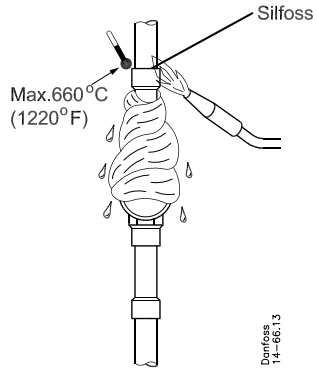


Danfoss
14-97.1.1

$d > 22 \text{ mm} - \frac{7}{8} \text{ in.}$



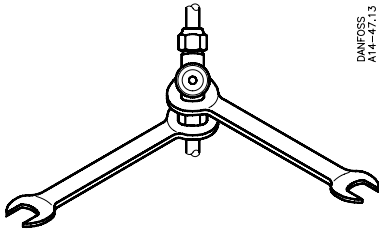
Danfoss
A14-28.12



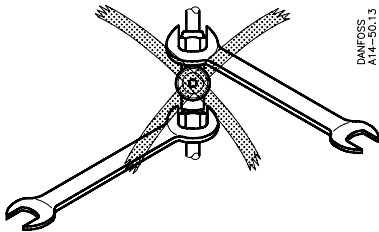
Danfoss
14-66.13

W

Type	W		W	
	mm	in.	mm	in.
SGI/N 6	14	$\frac{9}{16}$	16	$\frac{5}{8}$
SGI/N 10	19	$\frac{3}{4}$	22	$\frac{7}{8}$
SGI/N 12	22	$\frac{7}{8}$	24	$\frac{15}{16}$
SGI/N 16	27	$1\frac{1}{16}$	27	$1\frac{1}{16}$
SGI/N 19	32	$1\frac{1}{4}$	32	$1\frac{1}{4}$

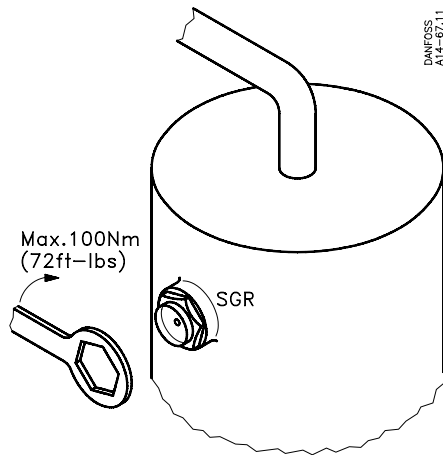


DANFOSS
A14-47.13



DANFOSS
A14-50.13

SG



DANFOSS
A14-67.11

Max. 100Nm
(72ft-lbs)

SGR

SGR