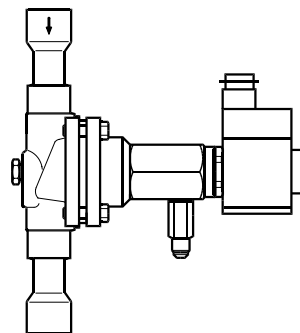
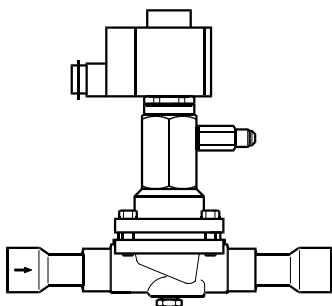




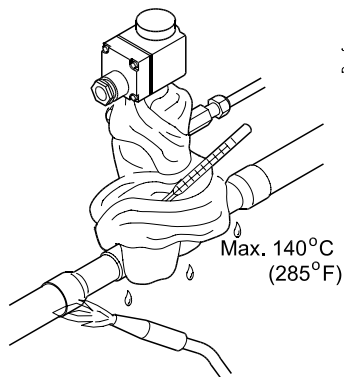
INSTRUCTIONS

Solenoid valve PKVD

034R9504

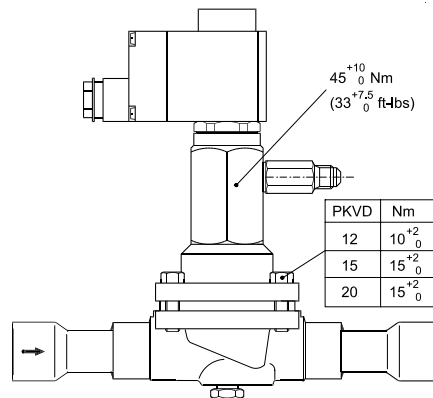


034R9504



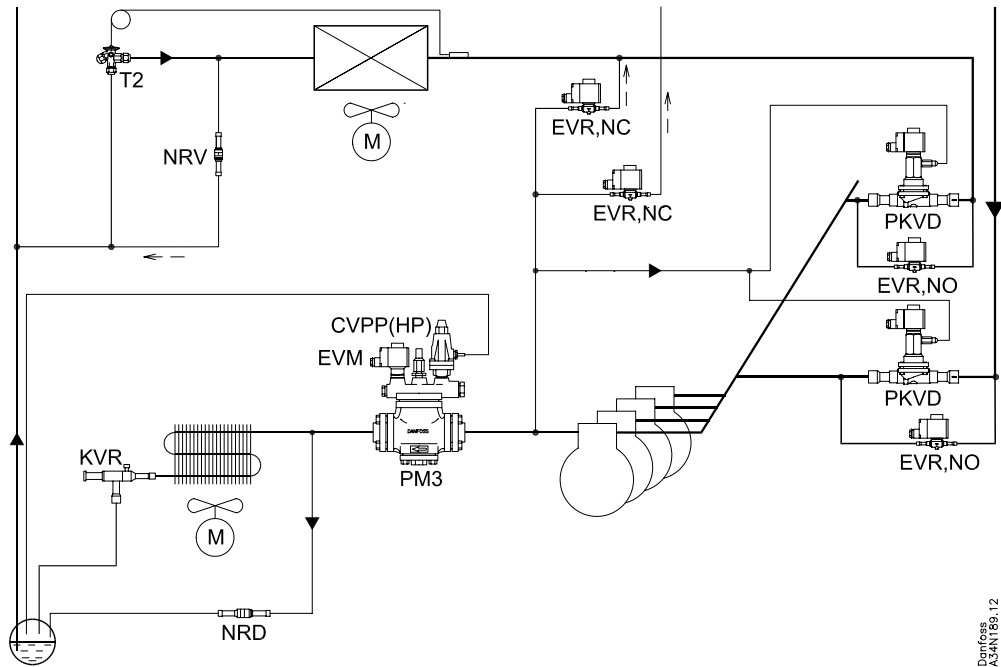
Danfoss
A34N192.11

Max. 140°C
(285°F)



Danfoss
A34N193.12

PKVD	Nm	ft-lbs
12	10 ⁺² ₀	7.5 ^{+1.5} ₀
15	15 ⁺² ₀	11 ^{+1.5} ₀
20	15 ⁺² ₀	11 ^{+1.5} ₀



Danfoss
A-441189.12