

Instructions

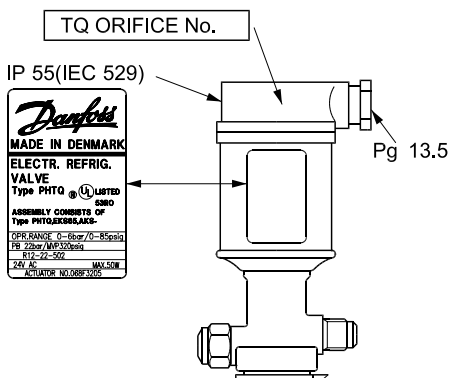
PHTQ



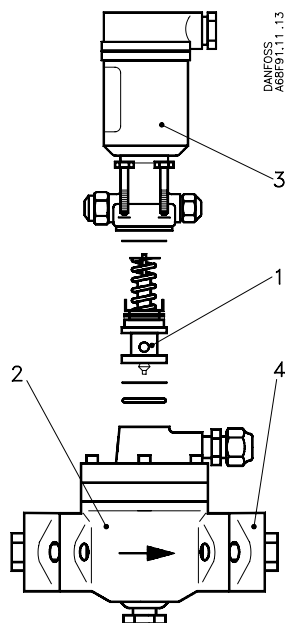
068R9522



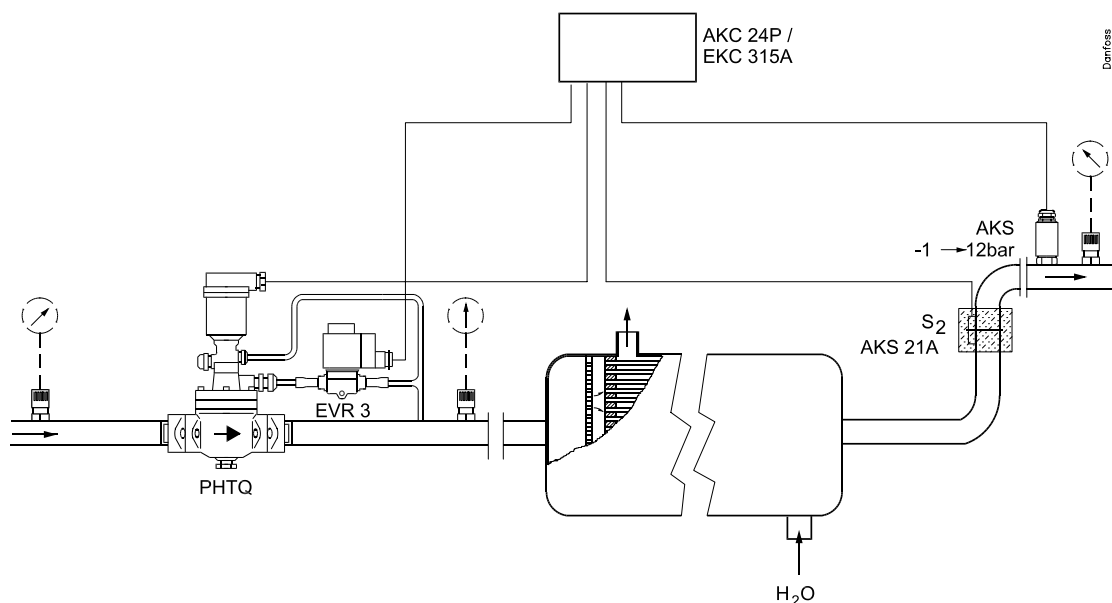
RI1DM300



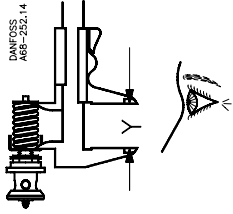
Danfoss
68F20.10



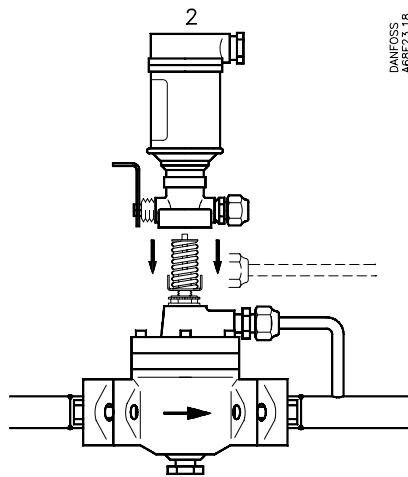
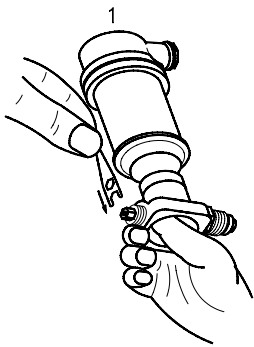
DANFOSS
A68F91.1.1.13



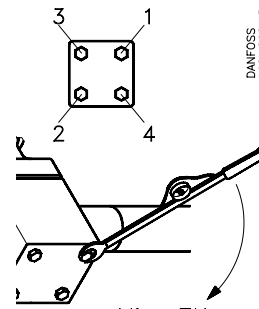
Danfoss
68F361.12



Y = 27.5 ± 0.5 mm



DANFOSS
ABB2318



DANFOSS
ABB-262.15

Min. 7Nm
(0.7kpm/5ft-lbs)
Max. 10Nm
(1kpm/7ft-lbs)

