



# INSTRUCTIONS

## NRV, NRVH

020R9500

HFC, HCFC, CFC

NRV 6 → 19

NRV 6s → 19s

NRVH 6s → 19s

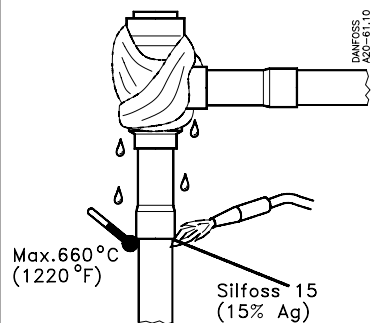
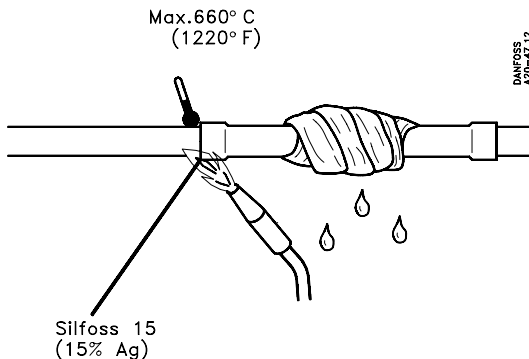
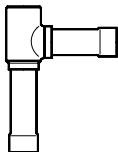
NRV 22s → 35s

NRVH 22s → 35s

$t_{min} = -50^{\circ}\text{C} / -58^{\circ}\text{F}$

$t_{max} = 140^{\circ}\text{C} / 285^{\circ}\text{F}$

PB / MWP = 28 bar / 400 psig



020R9500

