

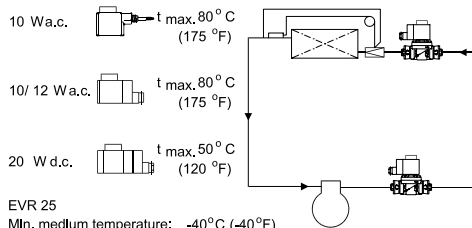
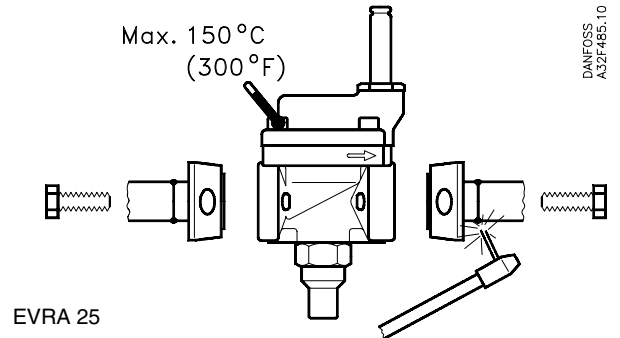
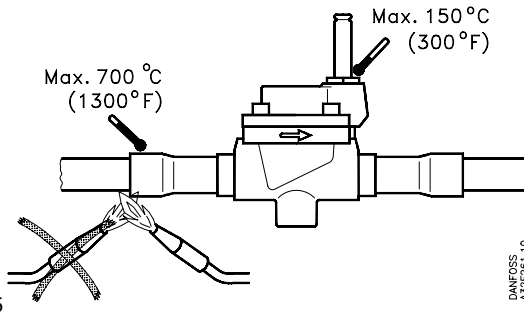
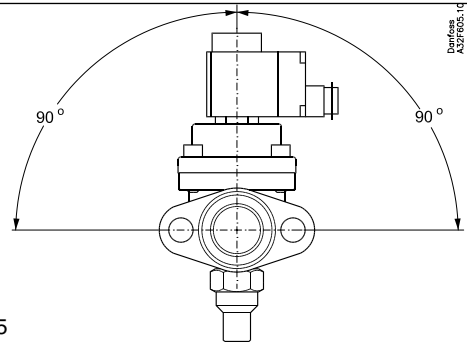
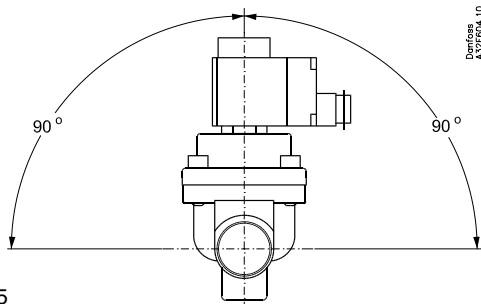
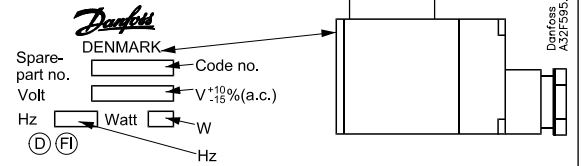
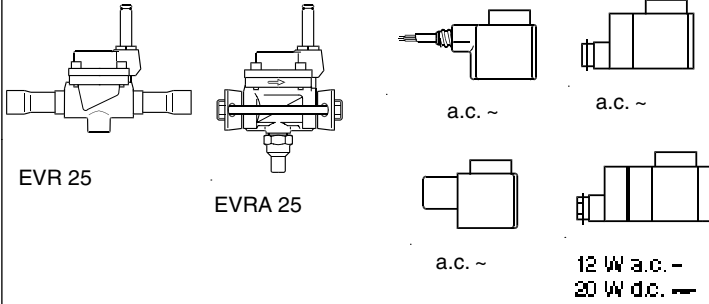
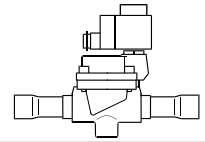
Instructions

032R9520

032R9520

Solenoid valves

EVR 25, EVRA 25

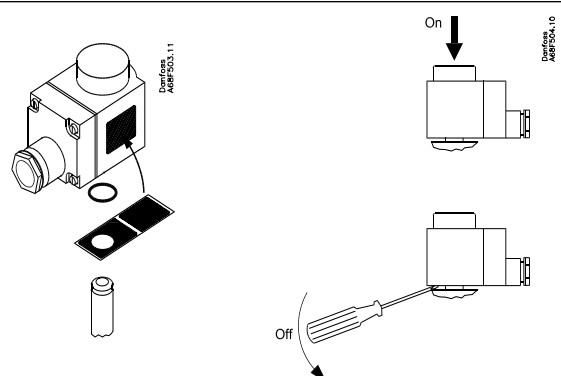
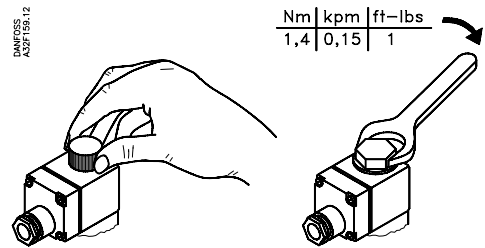


EVR 25
Min. medium temperature: -40 °C (-40 °F)
Max. medium temperature: 105 °C (221 °F)
Max. working pressure: PB=28 bar/ MWP 405 psig

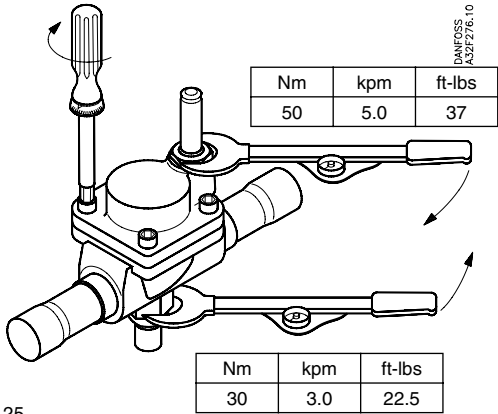
EVRA 25
Min. medium temperature: -40 °C (-40 °F)
Max. medium temperature: 105 °C (221 °F)
Max. working pressure: PB=42 bar/ MWP 600 psig

Max. opening diff. pressure (MOPD): →

Danfoss A32F596.11

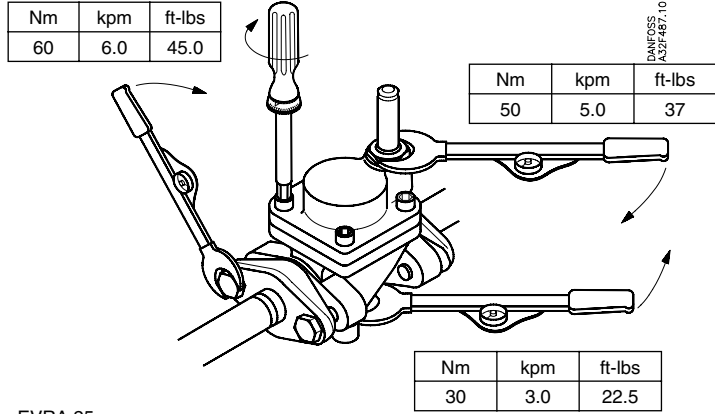


Nm	kpm	ft-lbs
30	3.0	22.5



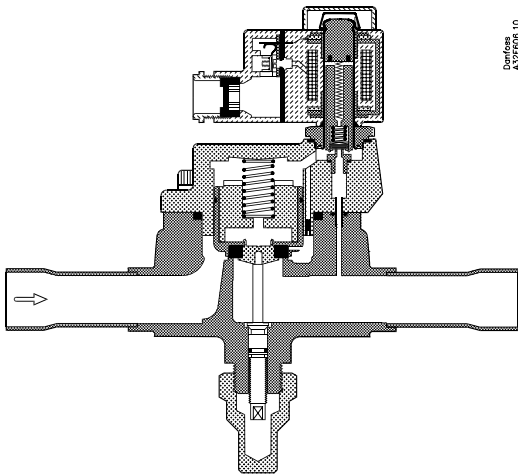
EVR 25

Nm	kpm	ft-lbs
30	3.0	22.5



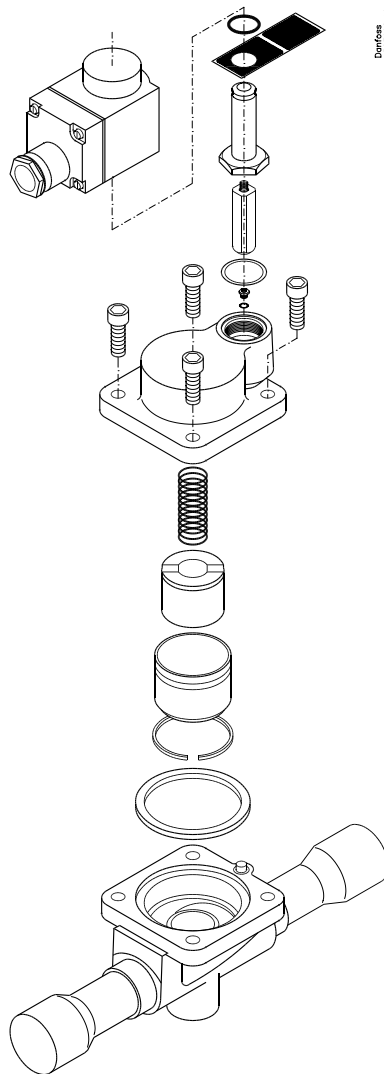
EVRA 25

EVR 25



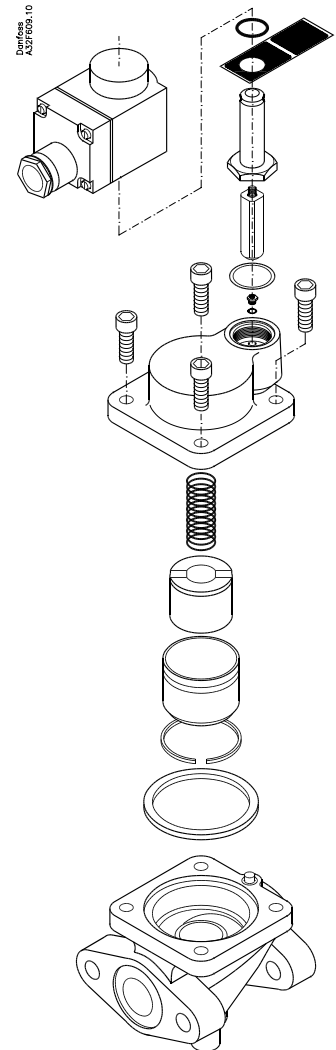
Danfoss
A3ZF608:10

EVR 25



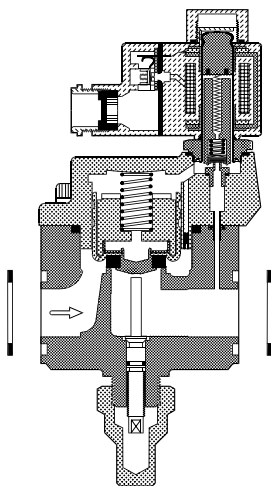
Danfoss
A3ZF608:10

EVRA 25



Danfoss
A3ZF608:10

EVRA 25 (NC)



Danfoss
A3ZF575:11