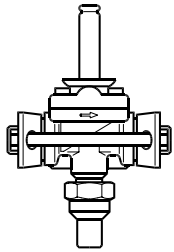
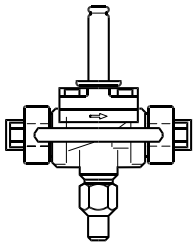


## EVRAT 10-15-20

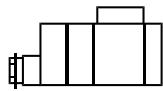
032R9669



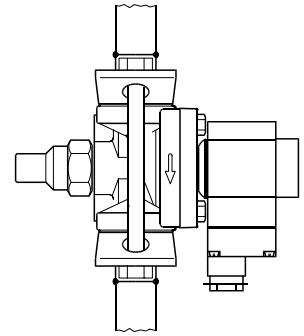
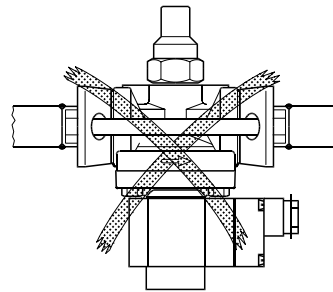
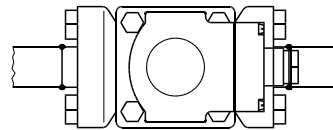
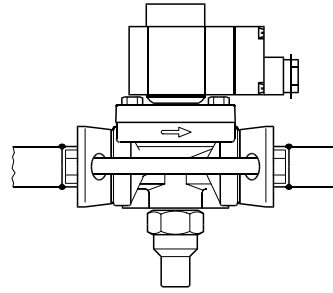
**EVRAT 10**



**EVRAT 15, 20**

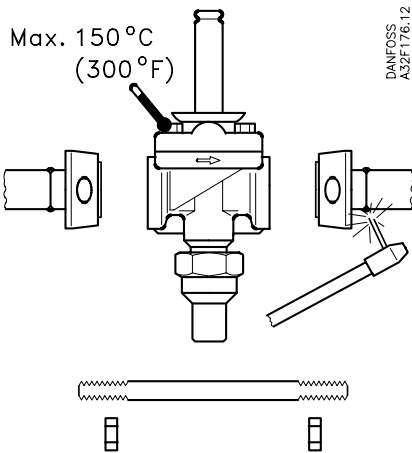


**12 V a.c.**

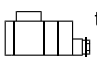



Danfoss  
A32F612.10

032R9669




DANFOSS  
A32F176.12

12 W d.c.   $t_{max.} 50^{\circ}C$  (120 °F)

  $t_{min.} -40^{\circ}C$  (-40°F)

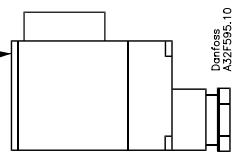
Min. medium temperature: EVRAT  $-40^{\circ}C$  ( $-40^{\circ}F$ )  
 Max. medium temperature: EVRAT  $105^{\circ}C$  ( $221^{\circ}F$ )  
 Max. working pressure: PB=28 bar/ MWP 405 psig

Max. opening diff. pressure (MOPD):  21 bar (300psig)

Danfoss  
A32F613.10

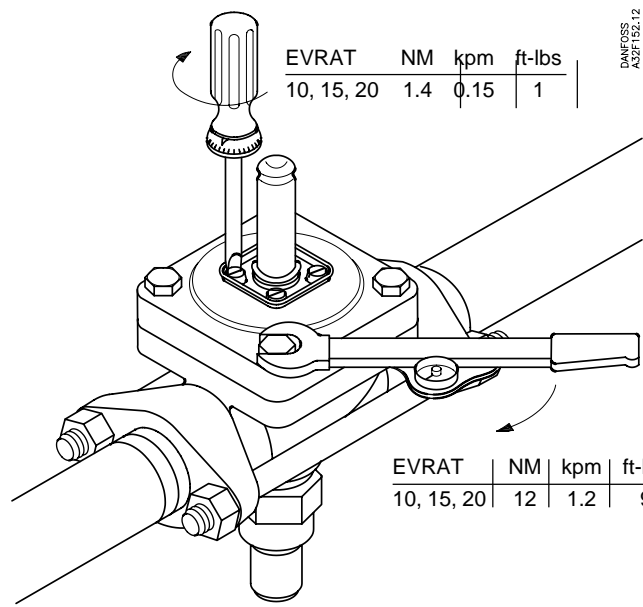
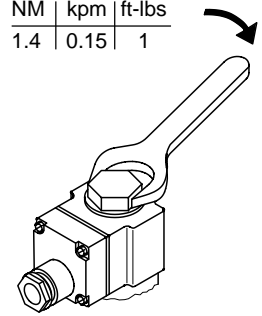
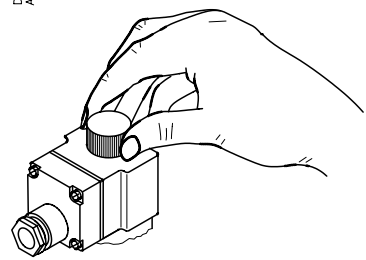
**Danfoss**  
DENMARK

Spare part no. \_\_\_\_\_ Code no. \_\_\_\_\_  
 Volt \_\_\_\_\_ V ±10% (a.c.)  
 Hz \_\_\_\_\_ Watt \_\_\_\_\_ W  
 Ⓢ Ⓣ \_\_\_\_\_ Hz



Danfoss  
A32F178.12

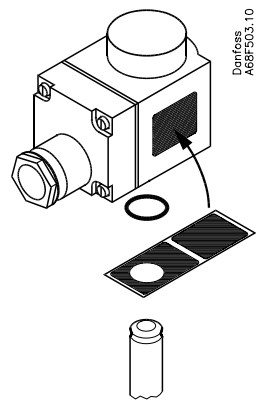
NM	kpm	ft-lbs
1.4	0.15	1



EVRAT	NM	kpm	ft-lbs
10, 15, 20	1.4	0.15	1

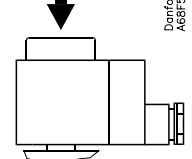
Danfoss  
A32F152.12

EVRAT	NM	kpm	ft-lbs
10, 15, 20	12	1.2	9

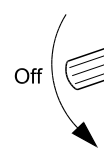


Danfoss  
A66F503.10

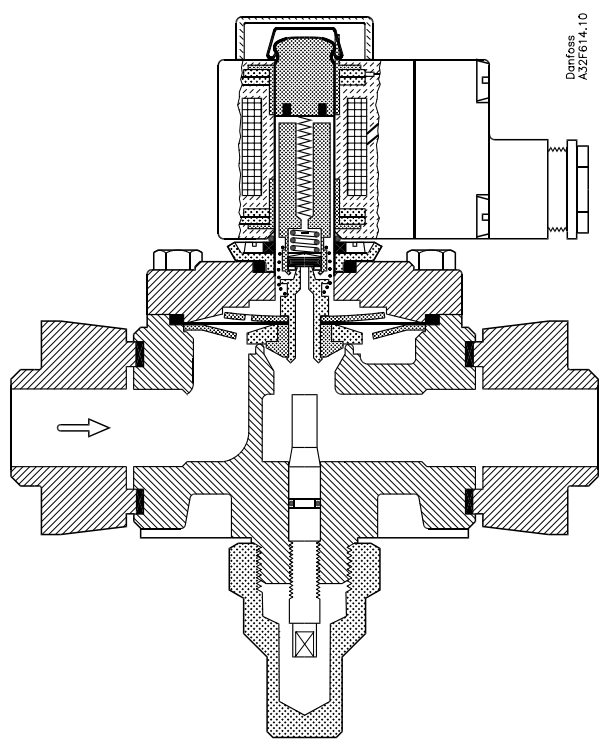
On



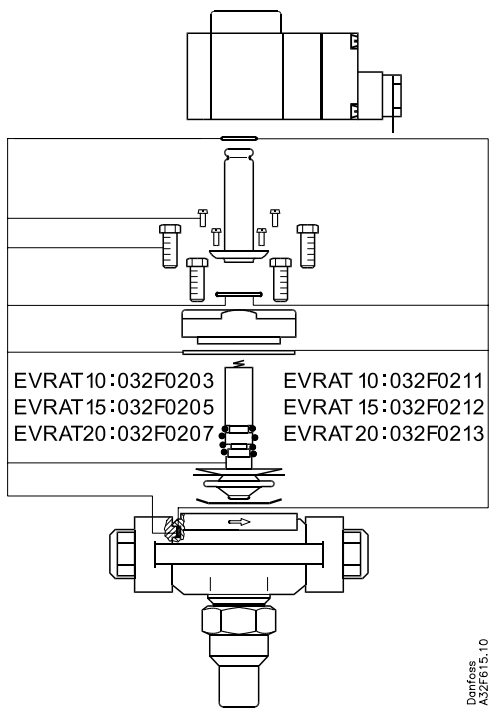
Danfoss  
A66F504.10



Off



Danfoss  
A32F614.10



EVRAT 10:032F0203	EVRAT 10:032F0211
EVRAT 15:032F0205	EVRAT 15:032F0212
EVRAT 20:032F0207	EVRAT 20:032F0213

Danfoss  
A32F615.10