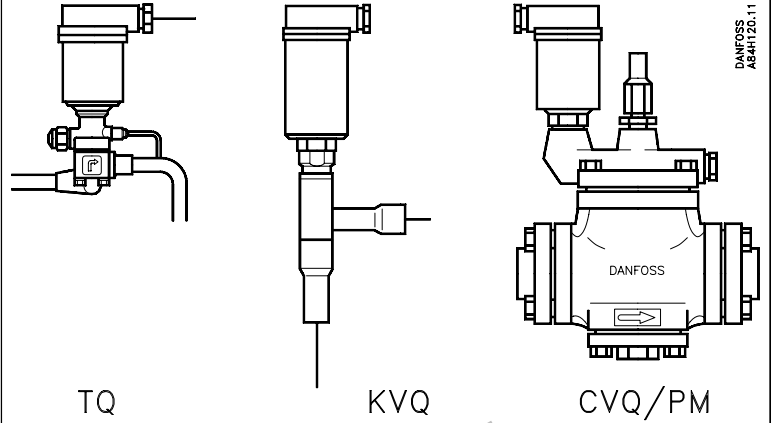
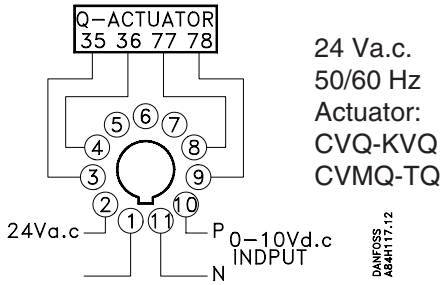
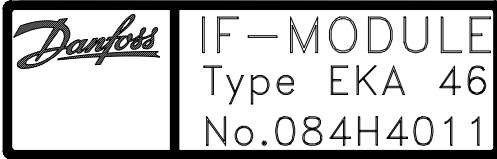


Instructions

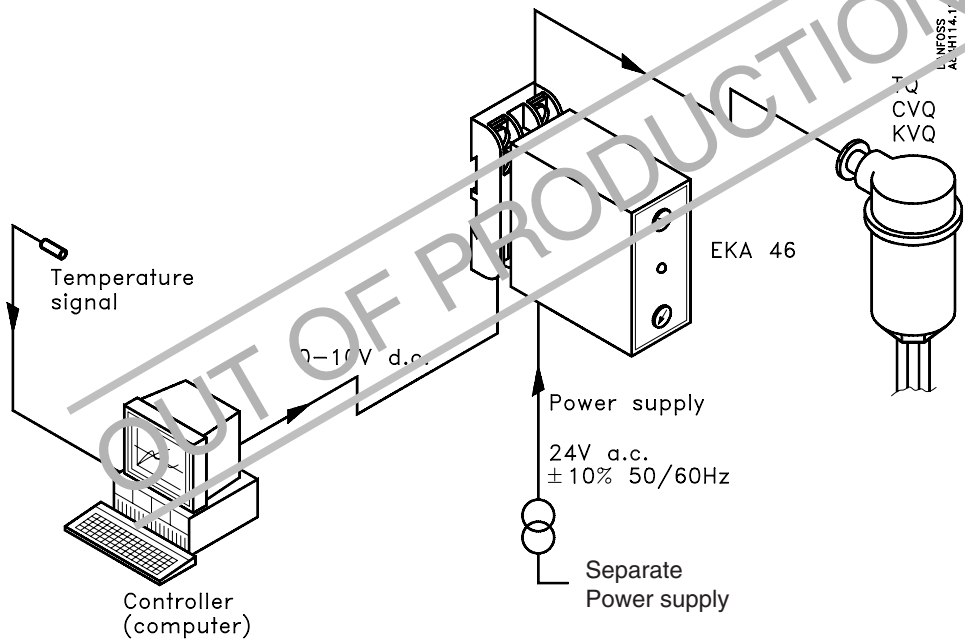
EKA 46

Identification



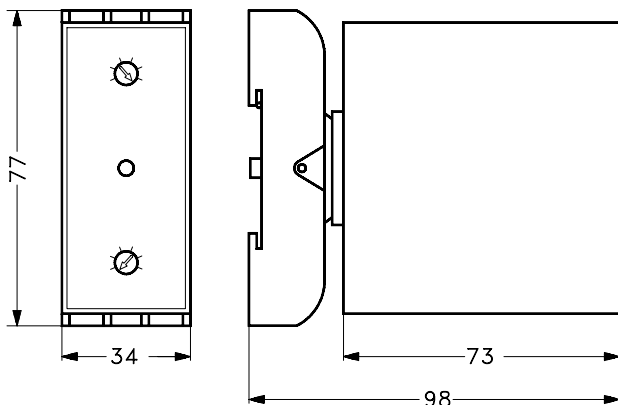
DANFOSS
A84H120-11

Principle

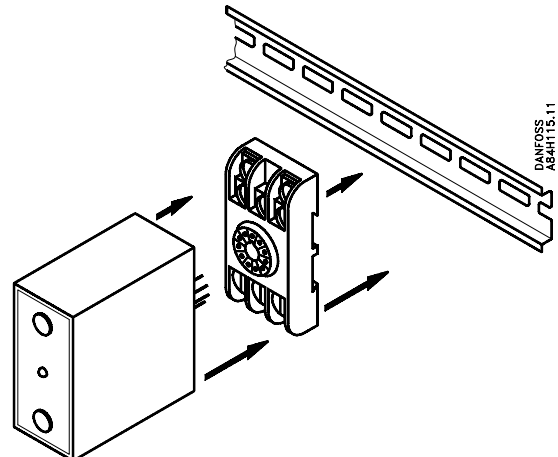


DANFOSS
AL-H114.11

Installation

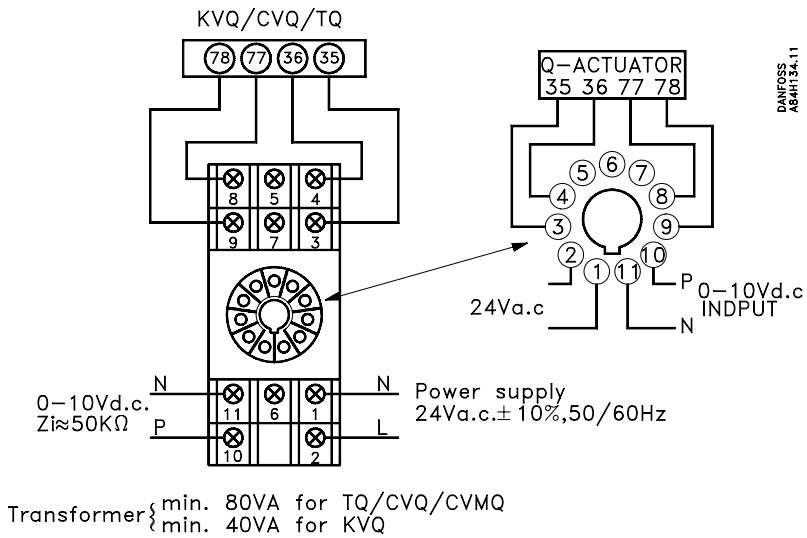


DANFOSS
A84H121.11

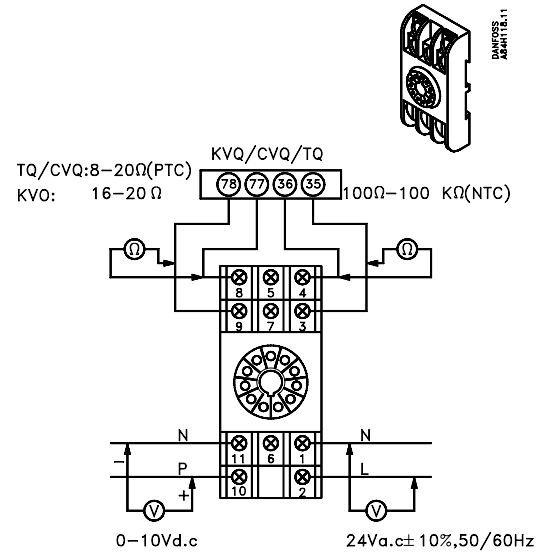


DANFOSS
A84H125.11

Connection

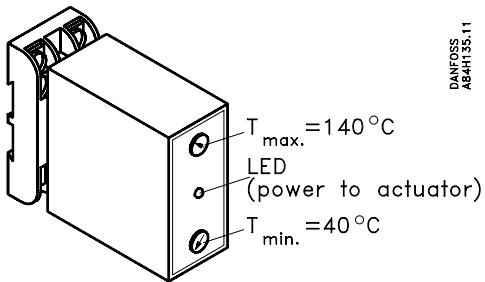


Check of connections

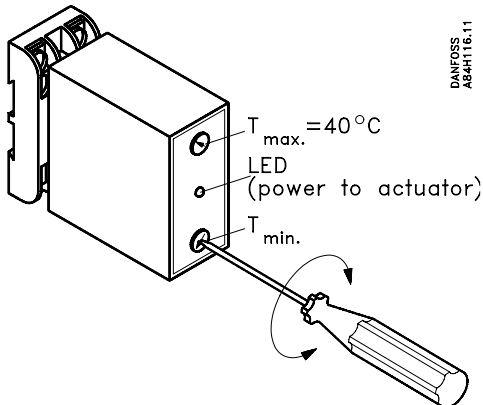


Running-in

Factory setting



Manual operation



Actuator temp. limits $T_{min.}$ and $T_{max.}$ can be adjusted manually.
Set $T_{max.}$ to the minimum value $T_{max.} = 40^{\circ}C$.
Now use the setting screw $T_{min.}$ to open and close the valve
Note! For $T_{max.} < T_{min.}$ applies that $T_{min.}$ has priority over the $T_{max.}$ setting.

Check of function

