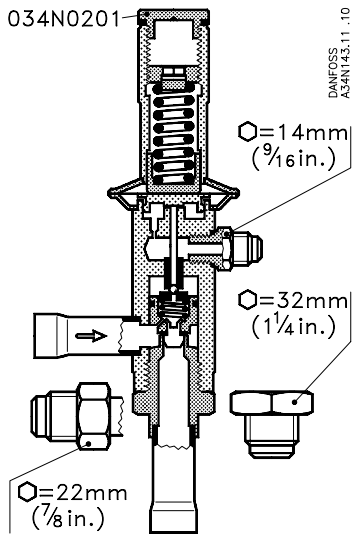


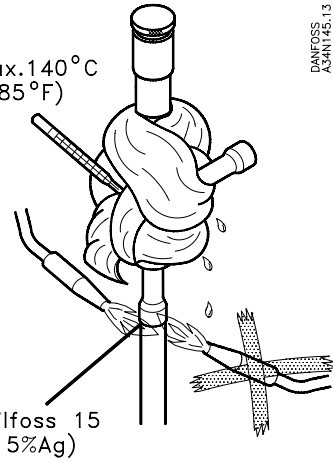
034R9507

CFC, HCFC, HFC



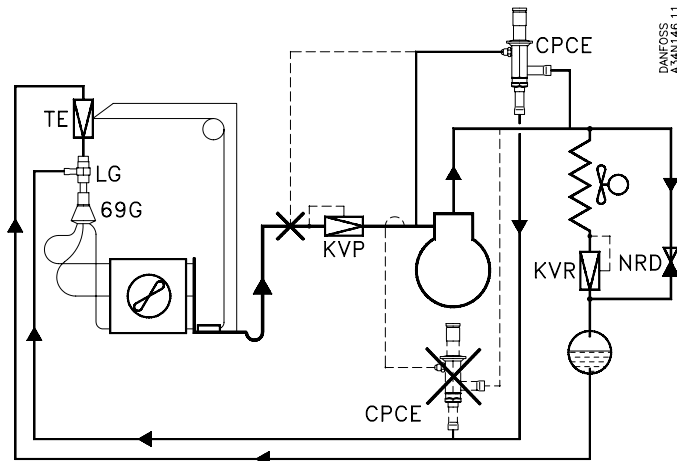
DANFOSS
A34N143.11 .10

Max. 140°C
(285 °F)



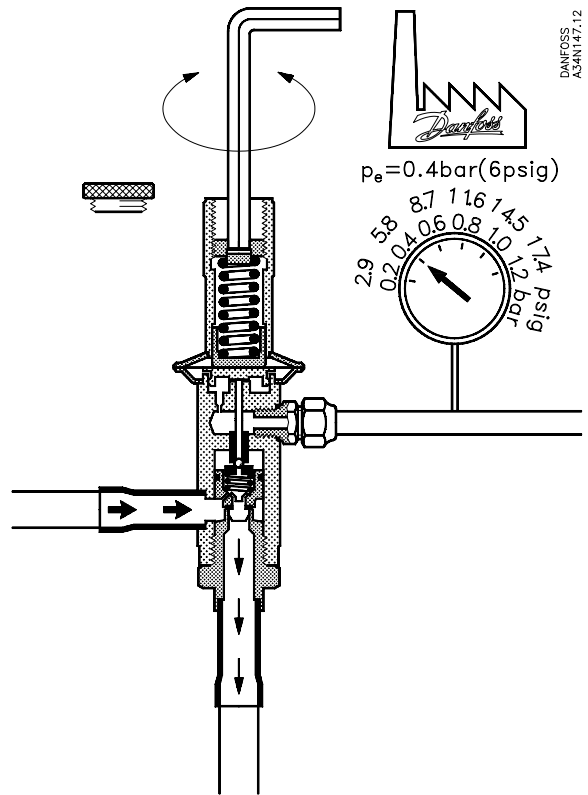
DANFOSS
A34N145.13

034R9507

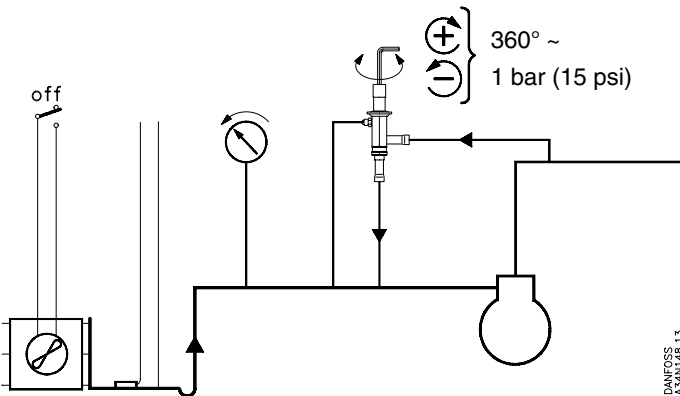


DANFOSS
A34N146.11

$t_{max.} = +140^{\circ}\text{C}$ (285°F)
 $t_{min.} = -45^{\circ}\text{C}$ (-50°F)
 PB (MWP) = 21.5 bar p_e (310 psig)
 $p_{test,max.} = 28$ bar p_e (400 psig)



DANFOSS
A34N147.12



DANFOSS
A34N148.13