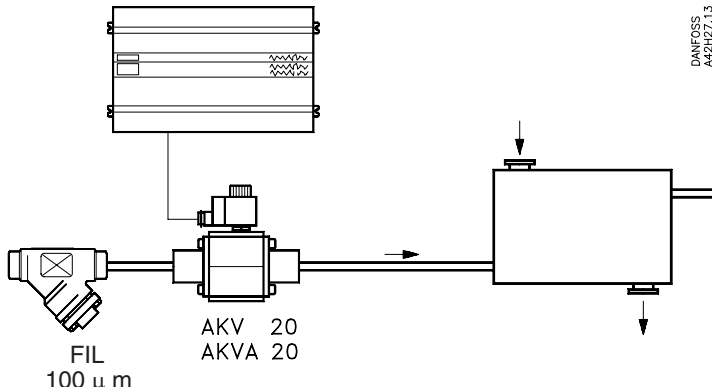
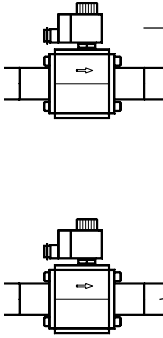
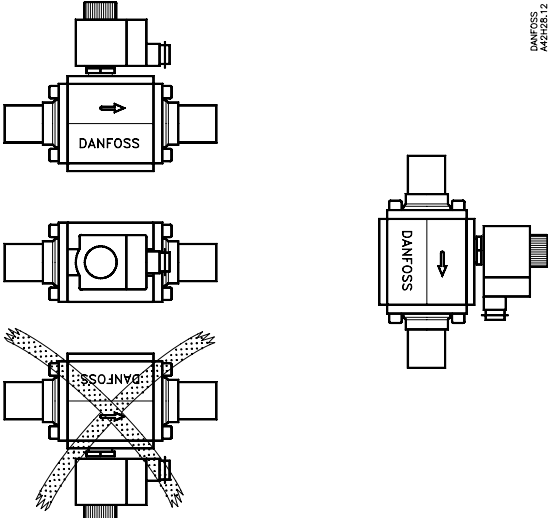
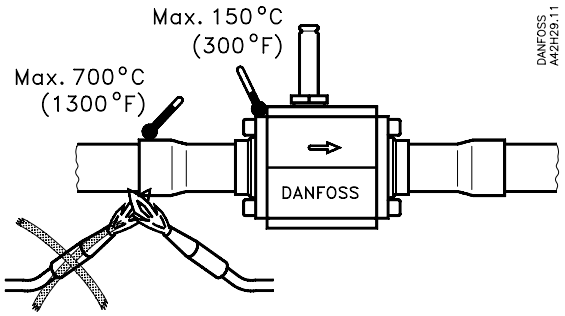
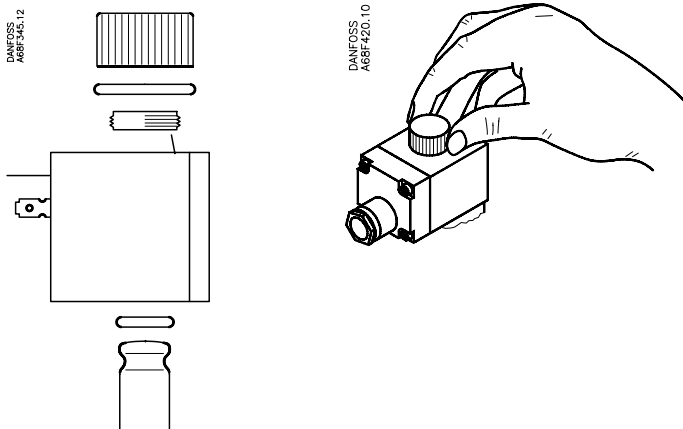
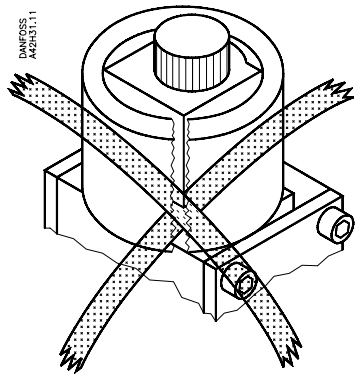
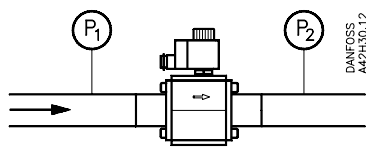


Instructions

AKV 20

AKVA 20

 <p>DANFOSS A42H27.13</p> <p>FIL 100 µm</p> <p>AKV 20 AKVA 20</p>	 <p>$-40^{\circ}\text{C} < t_{\text{amb}} < 50^{\circ}\text{C}$ $-40^{\circ}\text{F} < t_{\text{amb}} < 120^{\circ}\text{F}$</p> <p>$-40^{\circ}\text{C} < t_{\text{media}} < 60^{\circ}\text{C}$ $-40^{\circ}\text{F} < t_{\text{media}} < 140^{\circ}\text{F}$</p>
 <p>DANFOSS A42H28.12</p>	 <p>Max. 150°C (300°F)</p> <p>Max. 700°C (1300°F)</p> <p>DANFOSS A42H29.11</p>
 <p>DANFOSS A68F34S.12</p> <p>DANFOSS A68F420.10</p>	 <p>DANFOSS A42H31.11</p>
 <p>DANFOSS A42H30.12</p> <p>MWP = PB = 28 bar (400 psig) p'max = 31 bar (450 psig) MOPD_{max.} = (P₁ - P₂)_{max.} = 18 bar (260 psig)</p>	

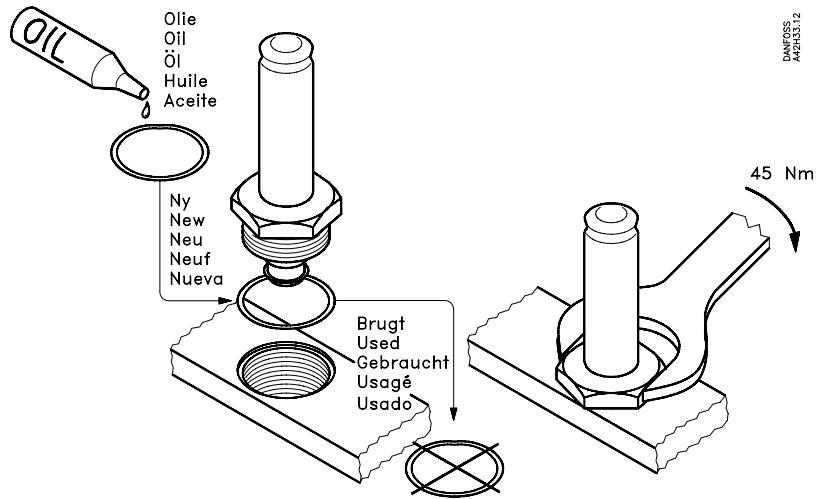
Pakningen skal skiftes, hvis ventilen adskilles.

The gasket must be exchanged, if the valve is dismantled.

Bei Zerlegung des Ventils muß die Dichtung ausgewechselt werden.

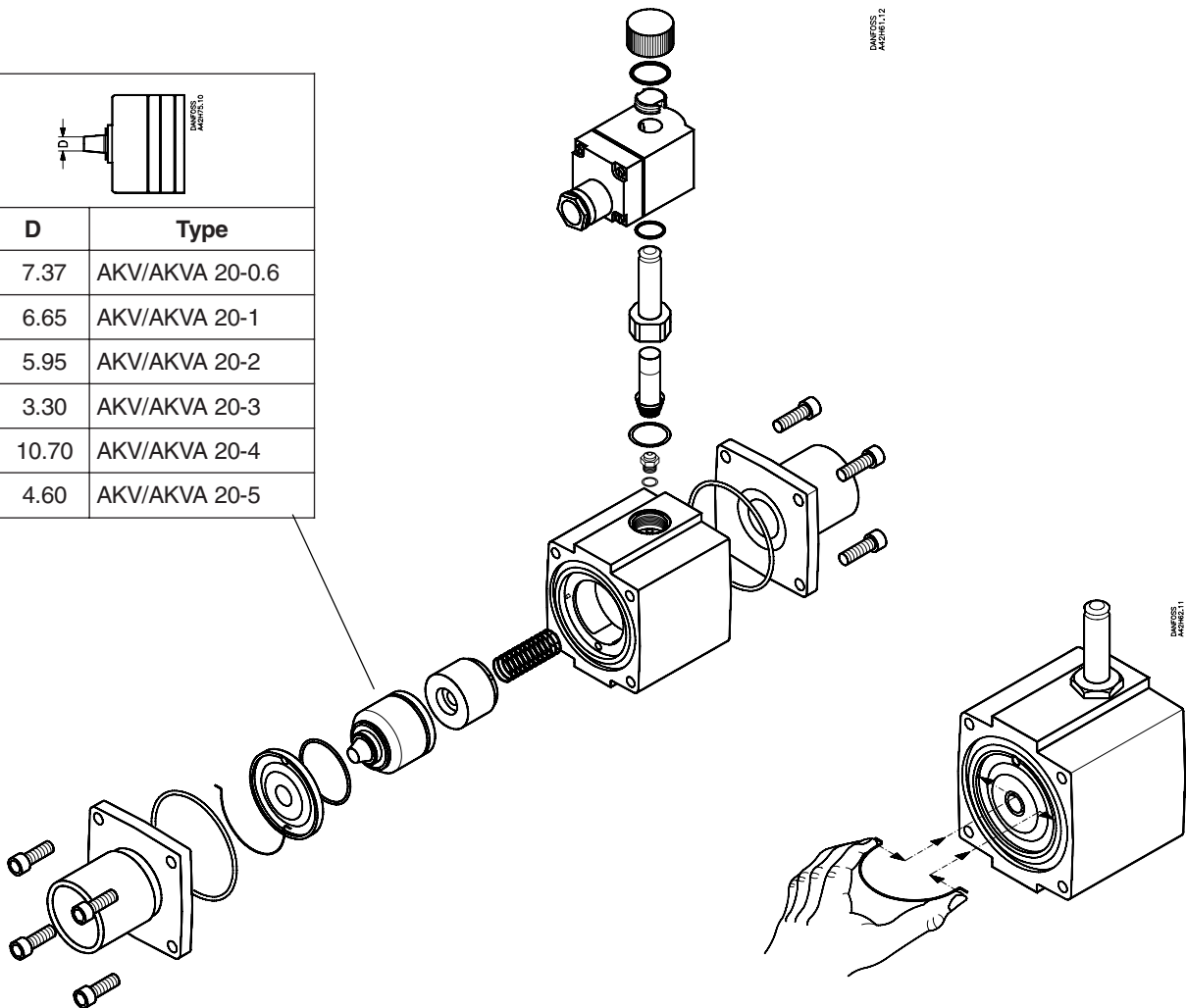
Changer le joint chaque fois que la vanne est démontée.

Es preciso cambiar la junta si se desmonta la válvula



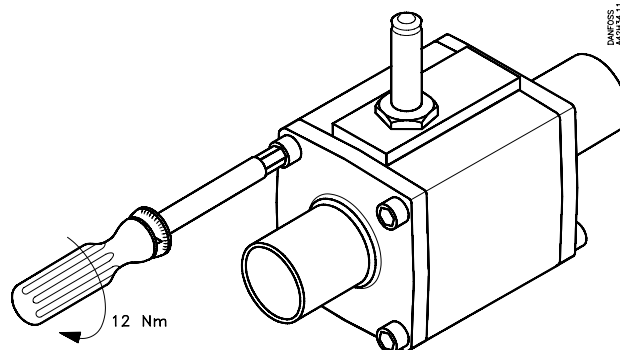
DANFOSS
AKV1033.12

D	Type
7.37	AKV/AKVA 20-0.6
6.65	AKV/AKVA 20-1
5.95	AKV/AKVA 20-2
3.30	AKV/AKVA 20-3
10.70	AKV/AKVA 20-4
4.60	AKV/AKVA 20-5



DANFOSS
AKV1017.12

DANFOSS
AKV1021.11



DANFOSS
AKV1034.11