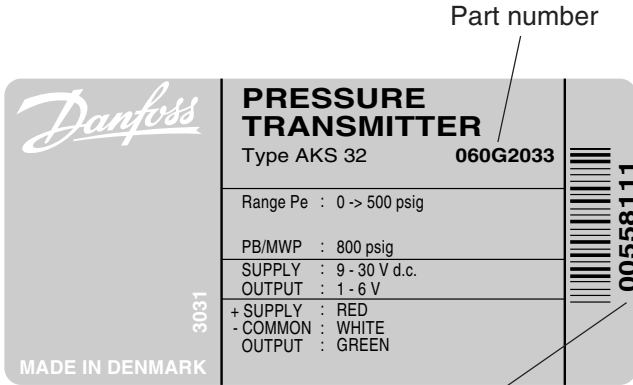


Identification



Part number

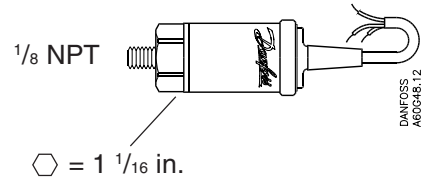
Identification code

Main data

Max. media / ambient temperature: 175 °F (80 °C)
 Min. media / ambient temperature: -40 °F (-40 °C)
 Refrigerants:
 NH₃, HFC, HCFC, CFC

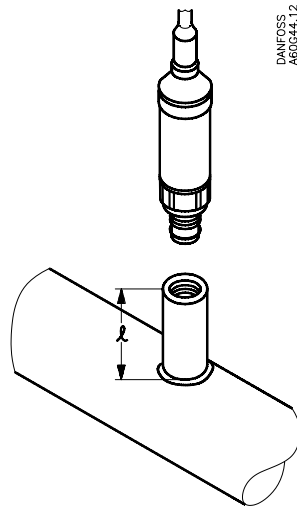
The sensor is non-adjustable!

Pressure connection



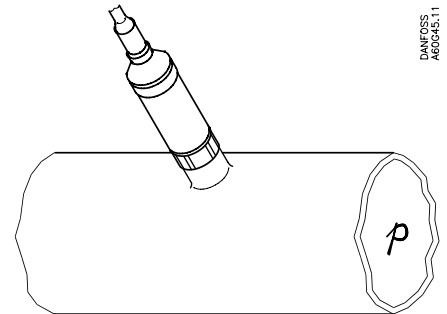
Mounting

Hot gas pipe



When used on a hot gas pipe use a distance sleeve to reduce temperature influence.
 A hot gas temperature higher than 210 °F (100 °C), a 2 in. (5 cm) sleeve is to be used.

Max. pressure



Range	SWP / MWP	Test pressure
0 - 200 psig	400 psig	800 psig
0 - 500 psig	800 psig	800 psig

Electrical connection

Type	Symbol	Connection	Power supply	Output signal
AKS 32		<p> Screen: Isolated from housing Red: + supply White: - supply / common Green: + output signal </p>	Max. 30 V d.c.	1 - 6 V d.c. R > 10 kΩ