



Electronic Refrigeration

Instructions

AKS 21

PT 1000 ohm

084R9670

084R9670



AKS 21A



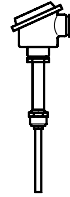
AKS 21W



AKS 21W



AKS 21W



AKS 21W



AKS 21D



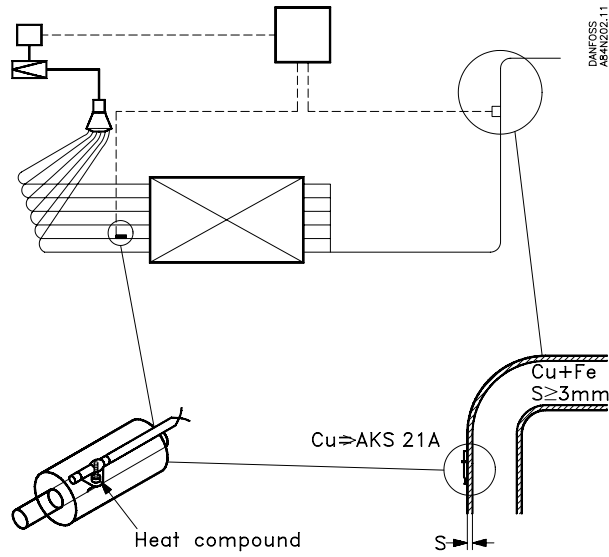
AKS 21W

ohm	C	F
723	-70	-94
727	-69	-92
731	-68	-90
735	-67	-89
739	-66	-87
743	-65	-85
747	-65	-83
751	-64	-81
755	-63	-80
759	-62	-78
763	-61	-76
767	-60	-74
771	-58	-72
775	-57	-71
779	-56	-69
783	-55	-67
787	-54	-65
791	-53	-63
795	-52	-62
799	-51	-60
803	-50	-58
807	-49	-56
811	-48	-54
815	-47	-53
819	-46	-51
823	-45	-49
827	-44	-47
831	-43	-45
835	-42	-44
839	-41	-42
843	-40	-40
847	-39	-38
851	-38	-36
855	-37	-35
859	-36	-33
862	-35	-31
866	-34	-29
870	-33	-27
874	-32	-26
878	-31	-24
882	-30	-22
886	-29	-20
890	-28	-18
894	-27	-17
898	-26	-15
902	-25	-13
906	-24	-11
910	-23	-9
914	-22	-8
918	-21	-6
922	-20	-4
926	-19	-2
929	-18	0

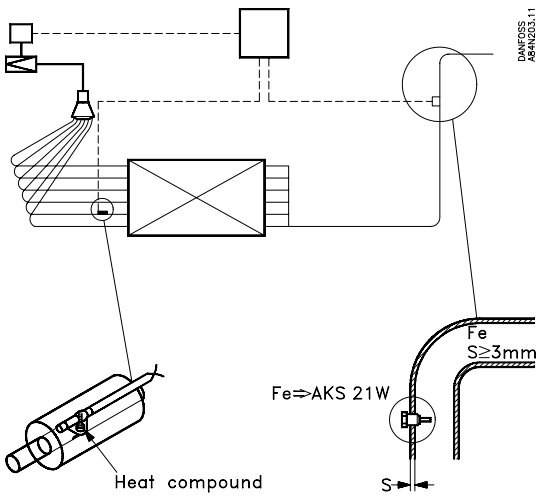
ohm	C	F
933	-17	1
937	-16	3
941	-15	5
945	-14	7
949	-13	9
953	-12	10
957	-11	12
961	-10	14
965	-9	16
969	-8	18
973	-7	19
977	-6	21
980	-5	23
984	-4	25
988	-3	27
992	-2	28
996	-1	30
1000	0	32
1004	1	34
1008	2	36
1012	3	37
1016	4	39
1020	5	41
1023	6	43
1027	7	45
1031	8	46
1035	9	48
1039	10	50
1043	11	52
1047	12	54
1051	13	55
1055	14	57
1058	15	59
1062	16	61
1066	17	63
1070	18	64
1074	19	66
1078	20	68
1082	21	70
1086	22	72
1090	23	73
1093	24	75
1097	25	77
1101	26	79
1105	27	81
1109	28	82
1113	29	84
1117	30	86
1121	31	88
1124	32	90
1128	33	91
1132	34	93
1136	35	95

Approx. 4 ohm/°C Approx. 2.2 ohm/°F

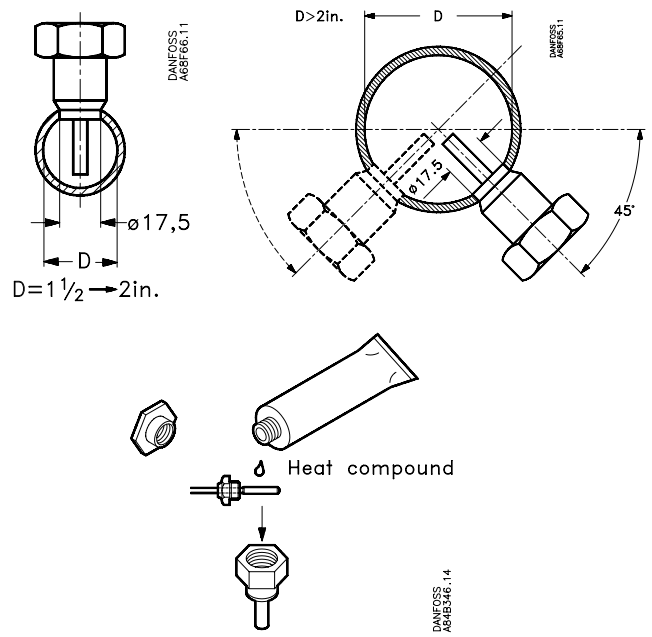
AKS 21W



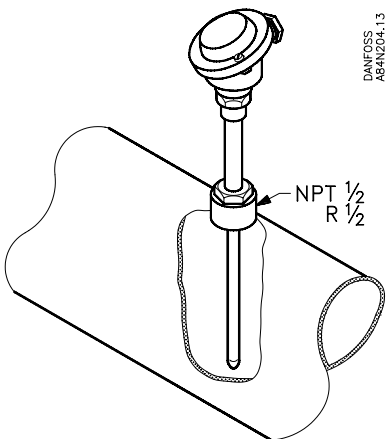
AKS 21W



AKS 21W



AKS 21W



AKS 21D

