

Fig. 1, Push rod assembly

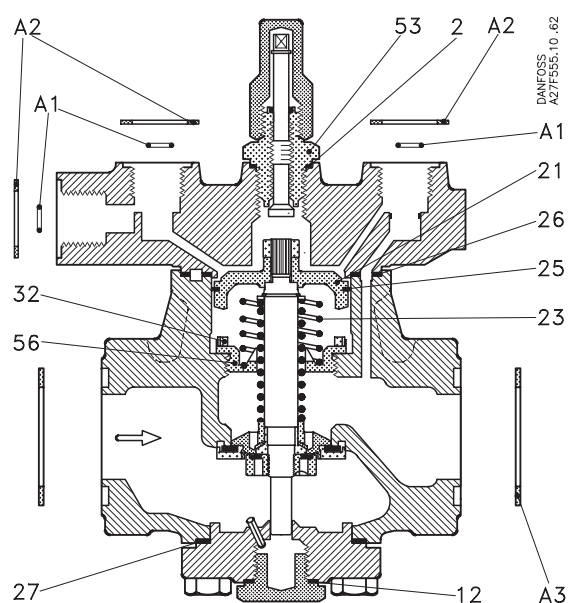


Fig. 2, PMLX, sizes 32 to 65

Spare parts for EVM pilot valves, see RX4XB1

Description	Qty	Size 32	Size 40	Size 50	Size 65
		Code no.	Code no.	Code no.	Code no.
<b>Push rod assembly, fig. 1</b>		<b>027F2281</b>	<b>027F2282</b>	<b>027F2283</b>	<b>027F2284</b>
Pos. 1 Push rod	1				
2 Cone	1				
3 Valve plate	1				
4 Clamping plate	1				
6 Spring	1				
7 Nut	1				
8 Locking ring	1				
9 Washer	1				
10 Bushing	1				
11 Valve plate	1				
12 Nut	1				
<b>Valve plate, fig. 1</b>		<b>027F0685</b>	<b>027F0686</b>		
Pos. 3 Valve plate	1				
<b>Valve plate, fig. 1</b>		<b>027F2292</b>	<b>027F2292</b>	<b>027F2293</b>	<b>027F2293</b>
Pos. 11 Valve plate	1				
<b>Manual operation, fig. 2</b>		<b>027F2130</b>	<b>027F2130</b>	<b>027F2130</b>	<b>027F2130</b>
Pos. 2 Alu gasket	1				
53 Manual operation	1				
<b>Piston ring, fig. 2</b>		<b>027F0651</b>	<b>027F0652</b>	<b>027F0653</b>	<b>027F0654</b>
Pos. 25 Piston ring	1				
<b>Piston assembly, fig. 2</b>		<b>027F2153</b>	<b>027F2154</b>	<b>027F2155</b>	<b>027F2156</b>
Pos. 21 Piston	1				
25 Piston ring	1				
<b>Main spring, fig. 2</b>		<b>027F0906</b>	<b>027F0907</b>	<b>027F0908</b>	<b>027F0909</b>
Pos. 23 Spring	1				

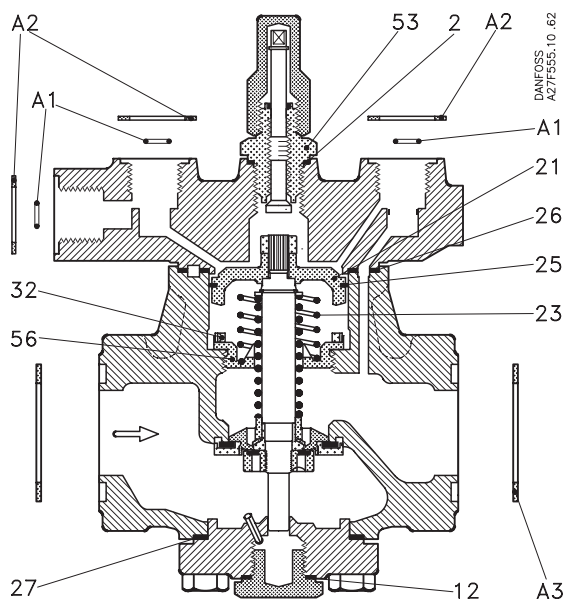


Fig. 2, PMLX 32 to 65



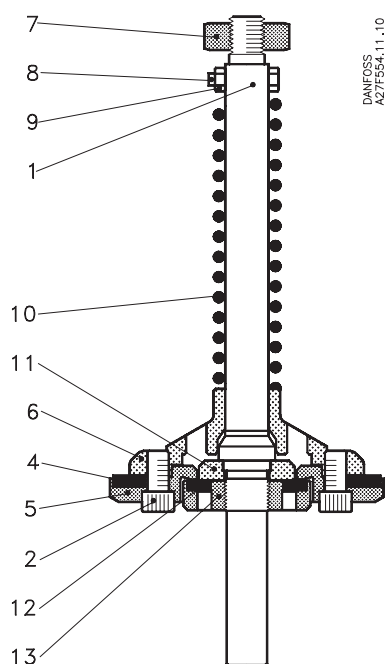
Fig. 3, External connector



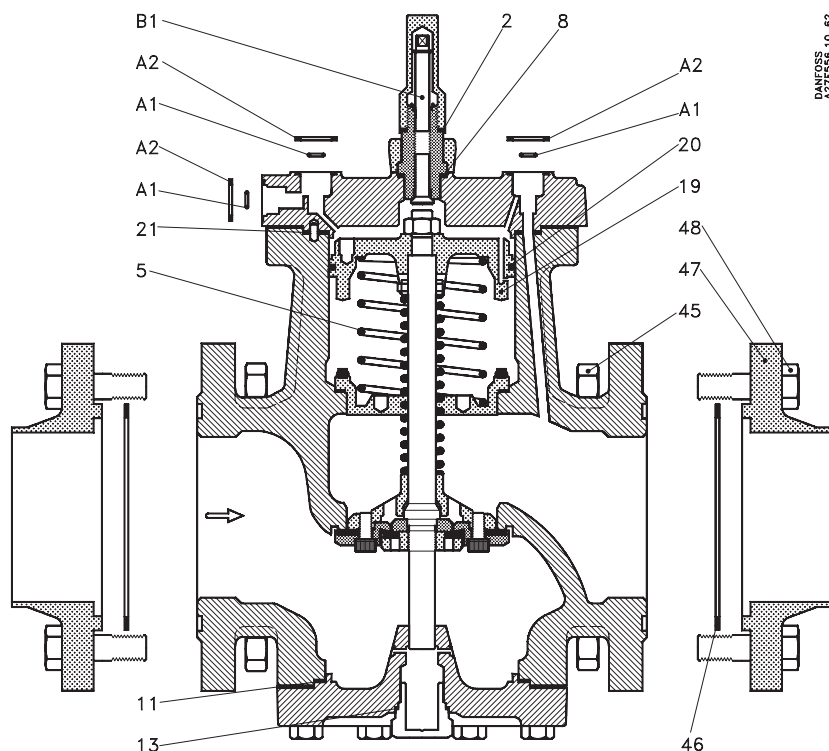
Fig. 4, Seal kit for external connector

Spare parts for EVM pilot valves, see RX4XB1

Description	Qty	Size 32	Size 40	Size 50	Size 65
		Code no.	Code no.	Code no.	Code no.
<b>Gasket set, fig. 2</b>		<b>027F2171</b>	<b>027F2172</b>	<b>027F2173</b>	<b>027F2174</b>
Pos. 26 Gasket	1				
27 Gasket	1				
<b>Seal kit, fig. 2</b>		<b>027F0087</b>	<b>027F0088</b>	<b>027F0089</b>	<b>027F0090</b>
Pos. 2 Alu gasket	1				
12 Gasket	1				
26 Gasket	1				
27 Gasket	1				
A1 O-ring	3				
A2 Gasket	3				
A3 Gasket	2				
<b>Intermediate plate, fig. 2</b>		<b>027F2288</b>	<b>027F2289</b>	<b>027F2290</b>	<b>027F2291</b>
Pos. 32 Gasket	1				
56 Intermediate plate	1				
<b>Flange gaskets, fig. 2</b>		<b>027F2176</b>	<b>027F2177</b>	<b>027F2178</b>	<b>027F2179</b>
Pos. A3 Gasket	2				
<b>Accessories</b>					
<b>External pilot connector, fig. 3</b>		<b>027F1048</b>	<b>027F1048</b>	<b>027F1048</b>	<b>027F1048</b>
Weld, ID 12.7 mm/OD 18 mm		<b>027B2065</b>	<b>027B2065</b>	<b>027B2065</b>	<b>027B2065</b>
1/4 NPT					
Nipple assembly	1				
Damping orifice, dia. 1.0 mm	1				
O-ring	1				
Gasket	1				
<b>Seal kit for external connector, fig. 4</b>		<b>027F1004</b>	<b>027F1004</b>	<b>027F1004</b>	<b>027F1004</b>
Alu gasket	4				
Gasket	4				
O-ring	4				



DANFOSS  
A27F554.11.10



DANFOSS  
A27F556.10.62

Fig. 1, Push rod assembly

Fig. 2, PMLX 80 to 125

Spare parts for EVM pilot valves, see RX4XB1

Description	Qty	Size 80	Size 100	Size 125
		Code no.	Code no.	Code no.
<b>Push rod assembly, fig. 1</b>		<b>027F2285</b>	<b>027F2286</b>	<b>027F2287</b>
Pos. 1 Push rod	1			
2 Screw	6			
4 Valve plate	1			
5 Clamping plate	1			
6 Cone	1			
7 Nut	1			
8 Screw	1			
9 Nut	1			
10 Spring	1			
11 Washer	1			
12 Valve plate	1			
13 Nut	1			
<b>Valve plate, fig. 1</b>		<b>027F0695</b>	<b>027F0696</b>	<b>027F0697</b>
Pos. 4 Valve plate	1			
<b>Valve plate, fig. 1</b>		<b>027F2296</b>	<b>027F2297</b>	<b>027F2298</b>
Pos. 12 Valve plate	1			
<b>Manual operation, fig. 2</b>		<b>027F2134</b>	<b>027F2134</b>	<b>027F2134</b>
Pos. 8 Gasket	1			
B1 Manual operation	1			
<b>Piston ring, fig. 2</b>		<b>027F1246</b>	<b>027F1247</b>	<b>027F1248</b>
Pos. 20 Piston ring	1			
<b>Piston assembly, fig. 2</b>		<b>027F2157</b>	<b>027F2158</b>	<b>027F2159</b>
Pos. 19 Piston	1			
20 Piston ring	1			
<b>Main spring, fig. 2</b>		<b>027F2143</b>	<b>027F2144</b>	<b>027F2145</b>
Pos. 5 Spring	1			

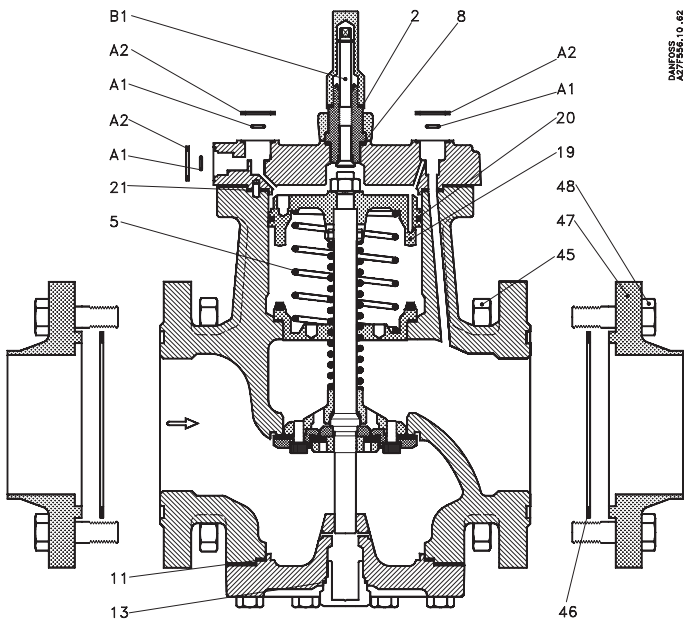


Fig. 2 PMLX 80 to 125

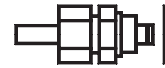


Fig. 3. External connector



Fig. 4. Seal kit for external connector

Spare Parts for EVM Pilot valves, see RX4XB1

Description	Qty	Size 80	Size 100	Size 125
		Code no.	Code no.	Code no.
<b>Gasket set, fig. 2</b>		<b>027F2183</b>	<b>027F2184</b>	<b>027F2185</b>
Pos. 11 Gasket	1			
21 Gasket	1			
<b>Seal kit, fig. 2</b>		<b>027F1233</b>	<b>027F1234</b>	<b>027F1235</b>
Pos. 2 Alu gasket	1			
8 Gasket	1			
11 Gasket	1			
13 Alu gasket	1			
21 Gasket	1			
46 Flange gasket	2			
A1 O-ring	3			
A2 Gasket	3			
<b>Flange set, fig. 2</b>		<b>027F2123</b>	<b>027F2124</b>	<b>027F2125</b>
Pos. 47 Flange	2			
<b>Flange gaskets, fig. 2</b>		<b>027F2120</b>	<b>027F2121</b>	<b>027F2122</b>
Pos. 46 Gasket	2			
<b>Flange bolts and nuts, fig. 2</b>		<b>027F2126</b>	<b>027F2127</b>	<b>027F2128</b>
Pos. 45 Nut	16			
48 Bolt	16			
<b>Accessories</b>				
<b>External pilot connector, fig. 3</b>		<b>027F1049</b>	<b>027F1049</b>	<b>027F1049</b>
Weld, ID 12.7 mm/OD 18 mm		<b>027B2066</b>	<b>027B2066</b>	<b>027B2066</b>
1/4 NPT				
Nipple assembly	1			
Damping orifice, dia. 1.0 mm	1			
O-ring	1			
Gasket	1			
<b>Seal kit for external connector, fig. 4</b>		<b>027F1004</b>	<b>027F1004</b>	<b>027F1004</b>
Alu gasket	4			
Gasket	4			
O-ring	4			