

Fig. 1

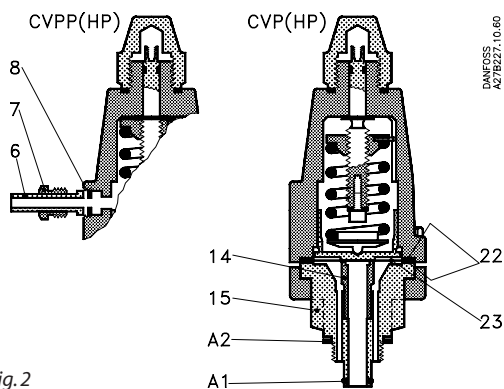


Fig. 2

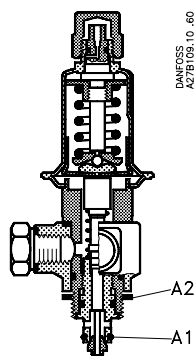


Fig. 3, CVC

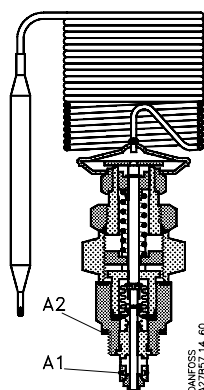


Fig. 4, CVT

Description	Qty	Code no.
CVP (LP) (low pressure) pressure controlled		
Seal kit, fig. 1		027F0666
Pos. A1 O-ring	1	
A2 Gasket	1	
CVPP (LP) (low pressure) differential pressure controlled		
Seal kit, fig. 1		027F0666
Pos. A1 O-ring	1	
A2 Gasket	1	
Connection kit, fig. 1		027B0120
Pos. 6 Nipple	1	
7 Connector	1	
8 Alu gasket	1	
CVP (HP) (high pressure) pressure controlled		
Seal kit, fig. 2		027F0666
Pos. A1 O-ring	1	
A2 Gasket	1	
Repair kit, fig. 2		027B0164
Pos. 14 Orifice	1	
15 Body	1	
22 Gasket	2	
23 Diaphragm	2	
CVPP (HP) (high pressure) differential pressure controlled		
Seal kit, fig. 2		027F0666
Pos. A1 O-ring	1	
A2 Gasket	1	
Connection kit, fig. 2		027B0120
Pos. 6 Nipple	1	
7 Connector	1	
8 Alu gasket	1	
Repair kit, fig. 2		027B0164
Pos. 14 Orifice	1	
15 Body	1	
22 Gasket	2	
23 Diaphragm	2	
CVC pressure controlled; with signal connector		
Seal kit, fig. 3		027F0666
Pos. A1 O-ring	1	
A2 Gasket	1	
Accessory Handwheel for adjustment	1	027B0039
CVT /CVTO temperature controlled		
Seal kit, fig. 4		027F0666
Pos. A1 O-ring	1	
A2 Gasket	1	

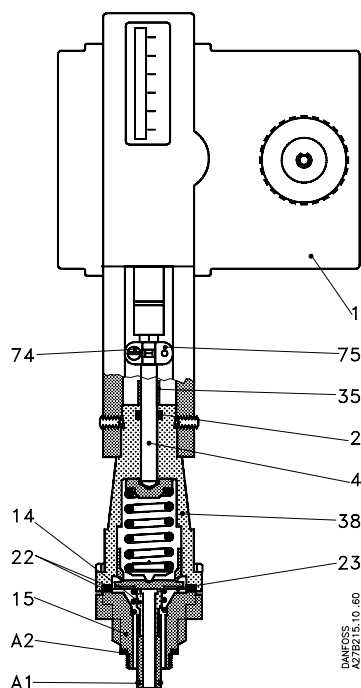


Fig. 1, CVPM

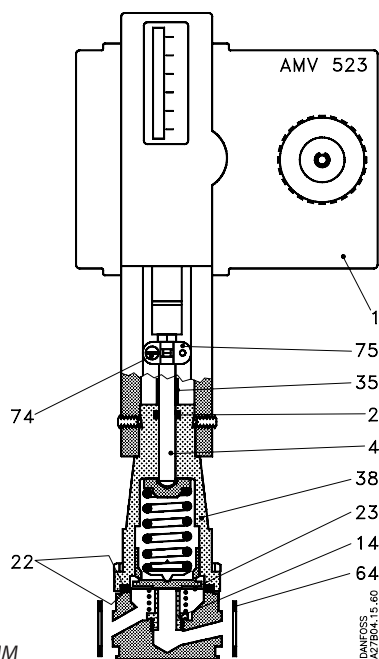


Fig. 2, CVMM

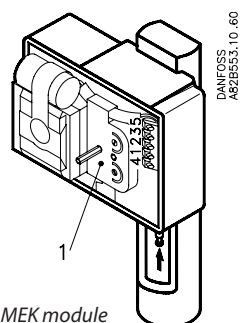


Fig. 3, Motor with AMEK module

Description	Qty	Code no.
CVPM motor pilot valve		
Seal kit, fig. 1		027F0666
Pos. A1 O-ring	1	
A2 Gasket	1	
Repair kit, fig. 1		027B2059
Pos. 2 O-ring	1	
4 Spindle	1	
35 Safety bush	1	
74 Screw	2	
75 Coupling	2	
Repair kit, fig. 1		027B0164
Pos. 14 Orifice	1	
15 Body	1	
22 Gasket	2	
23 Diaphragm	2	
Pilot valve, fig. 1		027B1170
Pos. 38 CVPM pilot valve assy without motor	1	
230 V motor, fig. 1		082B3517
Pos. 1 AMV 523 motor	1	
24 V motor, fig. 1		082B3515
Pos. 1 AMV 523 motor	1	
AMEK module, fig. 3		082B3301
Pos. 1 AMEK module	1	
CVMM motor pilot valve		
Repair kit, fig. 2		027B2059
Pos. 2 O-ring	1	
4 Spindle	1	
35 Safety bush	1	
74 Screw	2	
75 Coupling	2	
Repair kit, fig. 2		027B0162
Pos. 14 Orifice	1	
22 Gasket	2	
23 Diaphragm	2	
Pilot valve, fig. 2		027B1037
Pos. 38 CVMM pilot valve assy without motor	1	
230 V motor, fig. 2		082B3517
Pos. 1 AMV 523 motor	1	
24 V motor, fig. 2,		082B3515
Pos. 1 AMV 523 motor	1	
Flange gaskets, fig. 2		020-2133
Pos. 64 Gasket	2	
AMEK module, fig. 3		082B3301
Pos. 1 AMEK module	1	

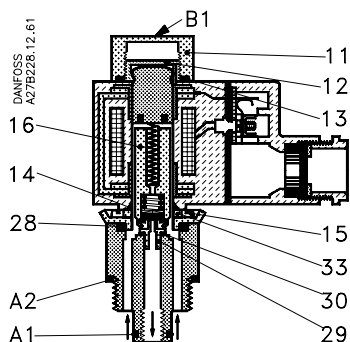


Fig. 1, EVM (NC) with flange connection of armature tube, previous design

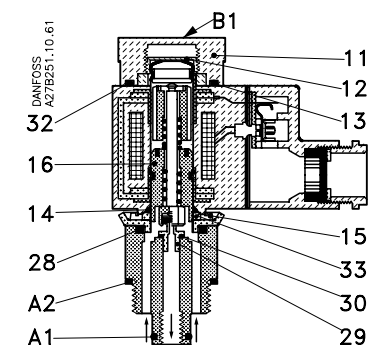


Fig. 2 EVM, (NO) with flange connection of armature tube, previous design

Description	Qty	Code no.
EVM (NC), fig. 1		
Service kit		032F0201
Pos. 11 Nut	1	
12 Snap fastener	1	
13 O-ring	1	
14 O-ring	1	
15 Screw	4	
16 NC armature assembly, teflon	1	
28 Rubber gasket	1	
29 Orifice	1	
30 Alu gasket	1	
A1 O-ring	1	
A2 Gasket	1	
EVM (NO), fig. 2		
Service kit		032F0199
Pos. 11 Nut	1	
12 Snap fastener	1	
13 O-ring	1	
14 O-ring	1	
15 Screw	4	
16 NO armature assembly, teflon	1	
28 Rubber gasket	1	
29 Orifice	1	
30 Alu gasket	1	
32 Spacer	1	
33 Spacer ring	1	
A1 O-ring	1	
A2 Gasket	1	
EVM (NC), fig. 1		
Seal kit		018Z0093
Pos. 11 Nut	1	
12 Snap fastener	1	
13 O-ring	1	
14 O-ring	1	
B1 Label	1	
EVM (NC/NO), fig. 1 and 2		
Seal kit		032F0209
Pos. 13 O-ring	1	
14 O-ring	1	
28 Rubber gasket	1	
30 Alu gasket	1	
A1 O-ring	1	
A2 Gasket	1	
EVM (NC/NO), fig. 1 and 2		
Seal kit		027F0666
Pos. A1 O-ring	1	
A2 Gasket	1	

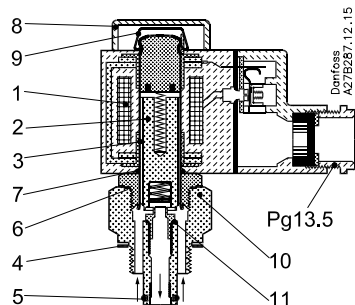


Fig. 1,
EVM (NC) with plug-in connection of armature tube

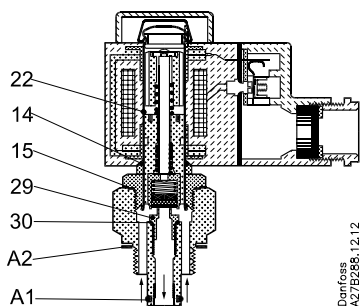


Fig. 2,
EVM (NO) with plug-in connection of armature tube

Description	Qty	Code no.
EVM (NC), fig. 1		
Service kit		032F1116
Pos. 11 Nut	1	
12 Snap fastener	1	
13 O-ring	1	
14 O-ring	1	
15 Alu gasket	1	
16 Armature assembly, teflon	1	
29 Orifice	1	
30 Alu gasket	1	
A1 O-ring	1	
A2 Gasket	1	
EVM (NO), fig. 2		
Service kit		032F1117
Pos. 12 Snap fastener	1	
13 O-ring	1	
14 O-ring	1	
15 Alu gasket	1	
22 NO armature assembly, teflon	1	
29 Orifice	1	
30 Alu gasket	1	
32 Spacer	1	
34 Nut	1	
A1 O-ring	1	
A2 Gasket	1	
EVM (NC/NO), fig. 1 and 2		
Seal kit		032F0209
Pos. 13 O-ring	1	
14 O-ring	1	
30 Alu gasket	1	
A1 O-ring	1	
A2 Gasket	1	
EVM (NC/NO), fig. 1 and 2		
Seal kit		027F0666
Pos. A1 O-ring	1	
A2 Gasket	1	
EVM (NC), fig. 1		
Seal kit		018Z0093
Pos. 11 Nut	1	
12 Snap fastener	1	
13 O-ring	1	
14 O-ring	1	
B1 Label	1	
EVM (NO), fig. 3		
Seal kit		018Z0091
Pos. 12 Snap fastener	1	
13 O-ring	1	
14 O-ring	1	
34 Nut	1	

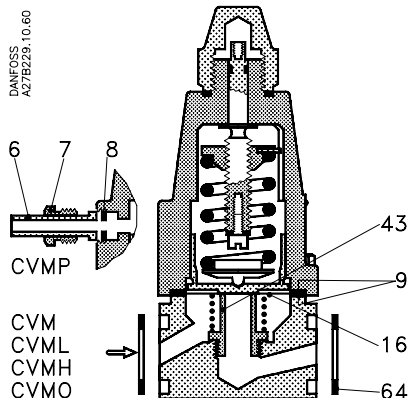


Fig. 1

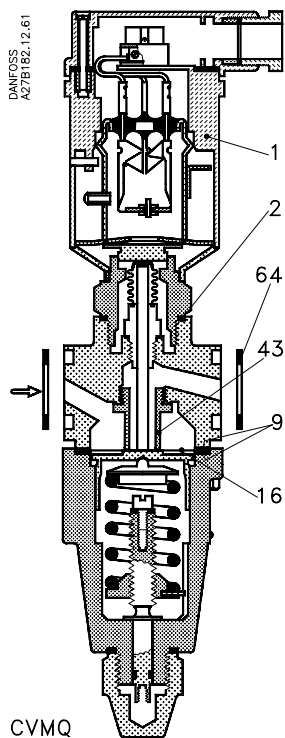


Fig. 2

Description	Qty	Code no.
CVM, CVML, CVMH and CVMO pressure controlled		
CVMP pressure controlled; with external connection		
Repair kit, fig. 1		027B0162
Pos. 9 Gasket	2	
16 Diaphragm	2	
43 Orifice	1	
Flange gaskets, fig. 1		020-2133
Pos. 64 Gasket	2	
Connection kit, fig. 1		027B0120
Pos. 6 Nipple	1	
7 Connector	1	
8 Alu gasket	1	
Flange gaskets, fig. 1		020-2133
Pos. 64 Gasket	2	

CVMQ electronically controlled		
Actuator, fig. 2		027B0121
Pos. 1 Actuator assembly	1	
2 Alu gasket	1	
Repair kit, fig. 2		027B0162
Pos. 9 Gasket	2	
16 Diaphragm	2	
43 Orifice	1	
Flange gaskets, fig. 2		020-2133
Pos. 64 Gasket	2	
Accessory Handwheel for adjustment	1	027B0039

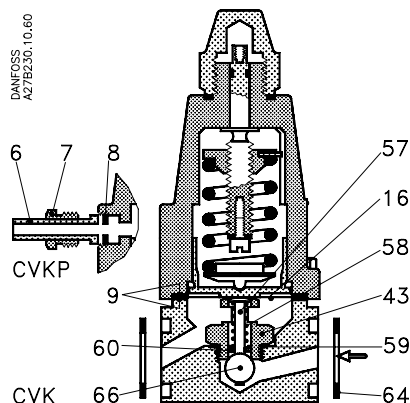


Fig. 1

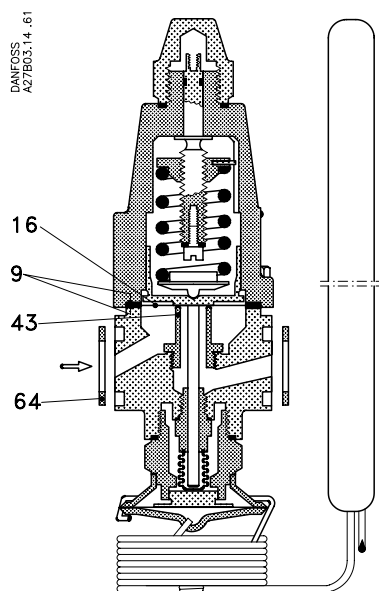


Fig. 2

Description	Qty	Code no.
CVK pressure controlled		
Orifice insert, fig. 1		027B0100
Pos. 9 Gasket	2	
16 Diaphragm	1	
43 Orifice	1	
57 Pin	1	
58 Spring	1	
59 O-ring	1	
60 Guide	1	
66 Ball	1	
Flange gaskets, fig. 1		020-2133
Pos. 64 Gasket	2	
CVKP pressure controlled; with external connection		
Orifice insert, fig. 1		027B0100
Pos. 9 Gasket	2	
16 Diaphragm	1	
43 Orifice	1	
57 Pin	1	
58 Spring	1	
59 O-ring	1	
60 Guide	1	
66 Ball	1	
Connection kit, fig. 1		027B0120
Pos. 6 Nipple	1	
7 Connector	1	
8 Alu gasket	1	
Flange gaskets, fig. 1		020-2133
Pos. 64 Gasket	2	
CVMT temperature controlled		
Repair kit, fig. 2		027B0162
Pos. 9 Gasket	2	
16 Diaphragm	1	
43 Orifice	1	
Flange gaskets, fig. 2		020-2133
Pos. 64 Gasket	2	
Accessory Handwheel for adjustment	1	027B0039