



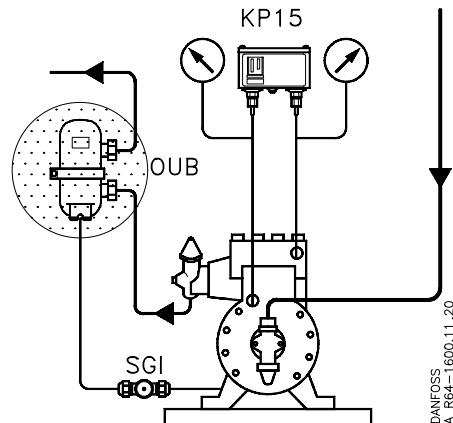
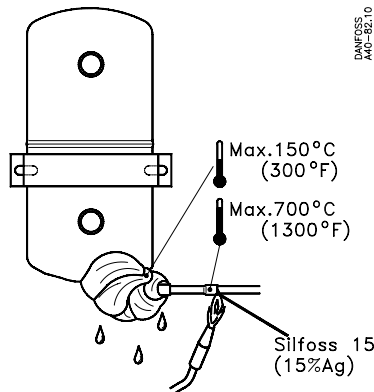
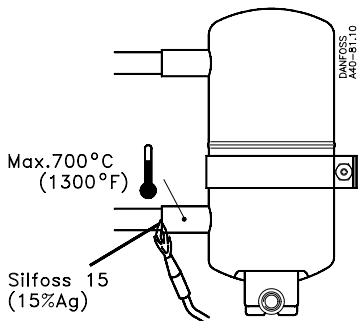
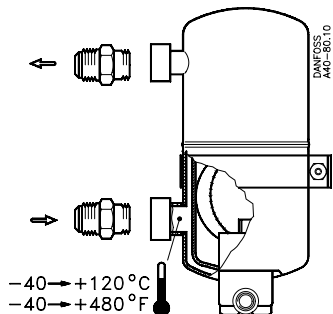
INSTRUCTIONS

OUB

040R9573

R 22, R 32, R 134a, R 404A,
R 502, et al.

PS/MWP = 28 bar/400 psig
 p_{lest} max. = 36.5 bar/525 psig



040R9573