

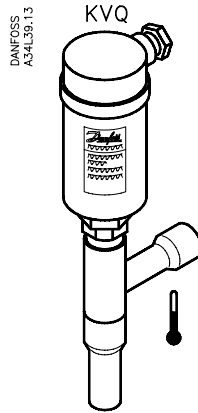


Electronic Refrigeration

Instructions

KVQ

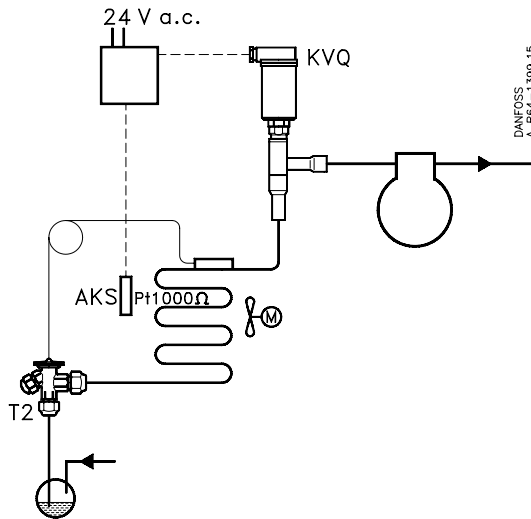
KVQ 15
KVQ 22
KVQ 28
KVQ 35



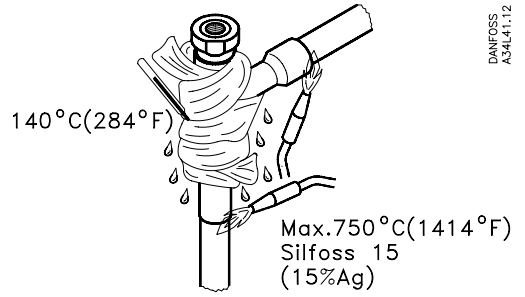
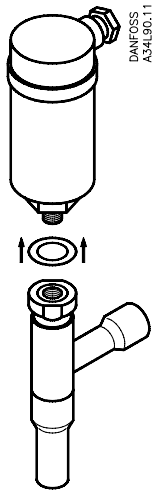
Max. 40°C (104°F)
Min. -45°C (-49°F)

$t_{max.}$ (R134a, R22, R404A) = 35°C (95°F)

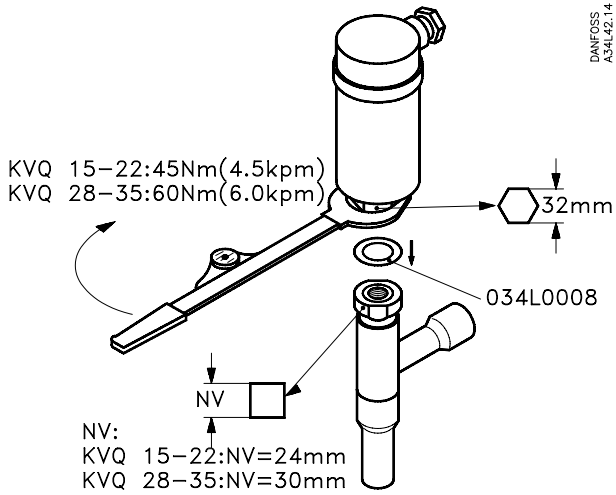
$t_{min.}$ (R134a, R22, R404A) = -45°C (-49°F)



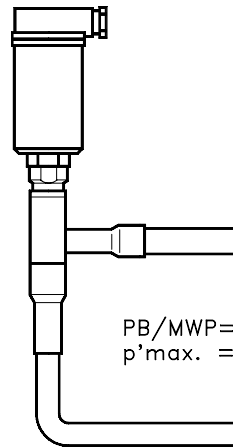
Afrimningsystem Defrosting system Abtausystem Système de dégivrage	Elafrimning/Stille afrimning Electr. defrost/Off-cycle defrost EI-Abtauung/Stille Abtauung Dégivrage électrique	Varmgasafrimning Hot gas defrost Heissgasabtauung Dégivrage par gaz chaud			
Omgivelsestemp. for KVQ Ambient temp. for KVQ Umgebungstemp. für KVQ Temp. ambiante du KVQ	± °C	+ °C		- °C	
Placeringssted for KVQ KVQ location Plazierung des KVQ Position du KVQ					
Orientering af KVQ KVQ orientation Einbau des KVQ Orientation du KVQ					



DANFOSS
A34L41.12

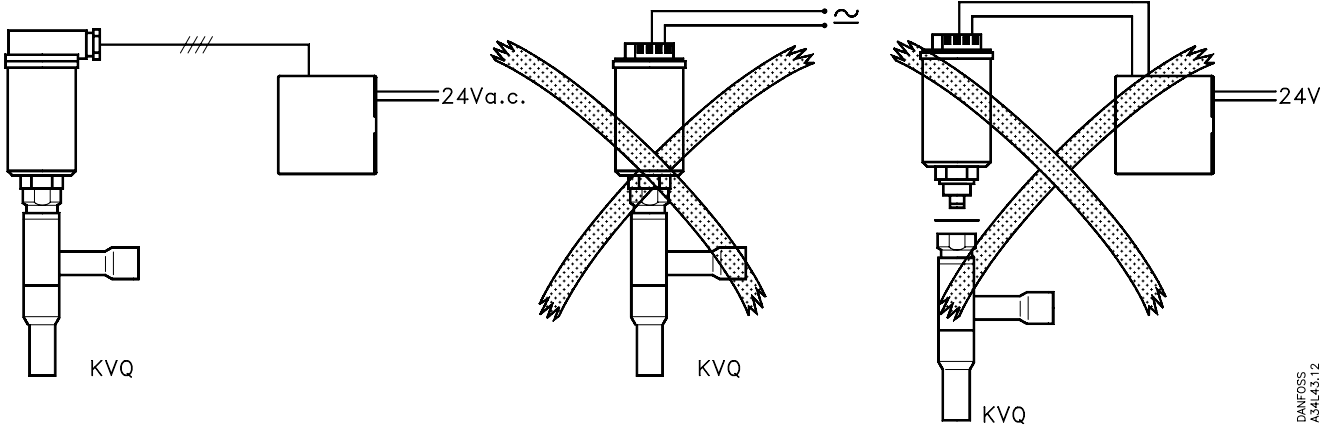


DANFOSS
A34L42.14



DANFOSS
A34L40.1

PB/MWP=22 bar/320 psig
p'max. =28 bar/405 psig



DANFOSS
A34L43.12



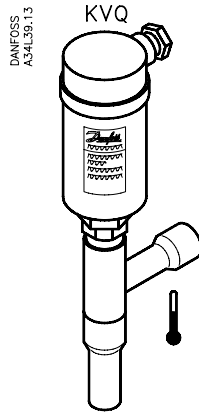
Instructions

Electronic Refrigeration

KVQ

Allowable ambient temperature

- KVQ 15
- KVQ 22
- KVQ 28
- KVQ 35

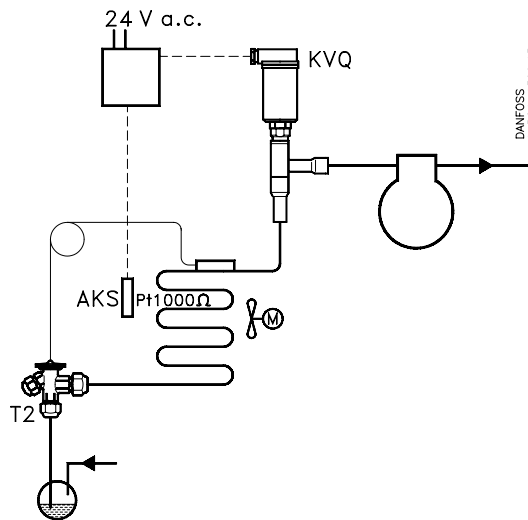


Max. 40°C (104°F)
Min. -45°C (-49°F)

$t_{max.}$ (R134a, R22, R404A) = 35°C (95°F)

$t_{min.}$ (R134a, R22, R404A) = -45°C (-49°F)

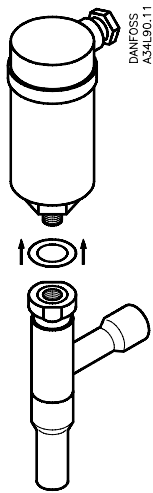
Application



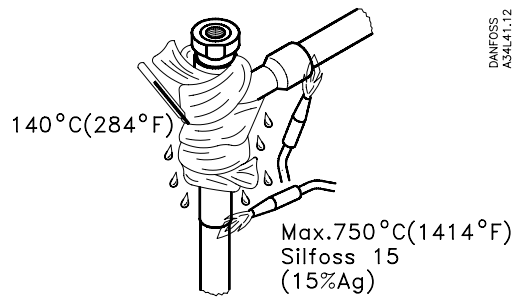
KVQ mounting (horizontal / vertical)

Defrosting system	Electr. defrost/Off-cycle defrost		Hot gas defrost			
	-45°C < t_{amb} < 40°C -49°F < t_{amb} < 104°F		$t_{amb} > 0°C$ $t_{amb} > 32°F$		$t_{amb} < 0°C$ $t_{amb} < 32°F$	
KVQ location						
KVQ orientation						

Before soldering

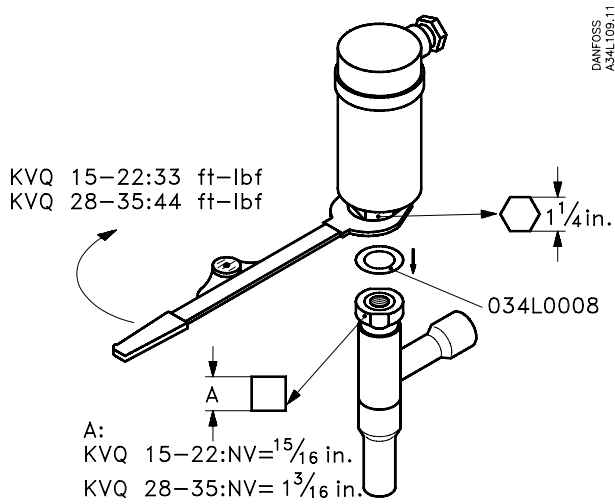


Soldering



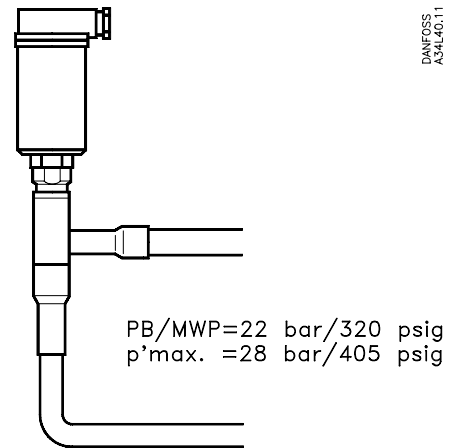
DANFOSS
A34L41.12

Assembling



DANFOSS
A34L09.11

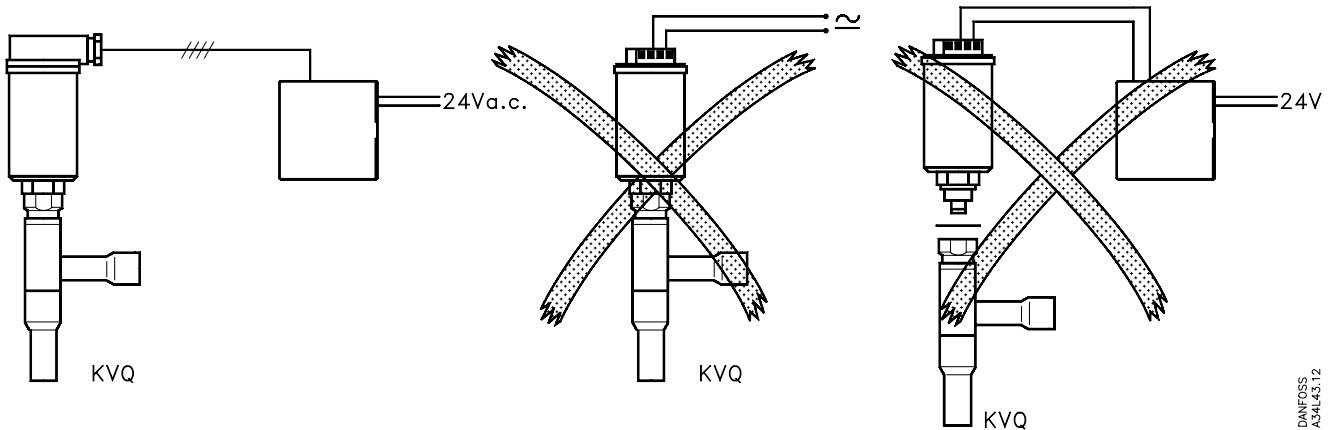
Max. pressure



DANFOSS
A34L40.11

Connection

Warning



Do not supply 24 V directly to valve

Do not apply power to unassembled valve

DANFOSS
A34L43.12



Instructions

Electronic Refrigeration

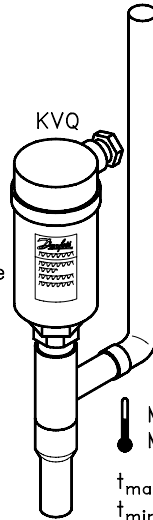
KVQ

Allowable ambient temperature

KVQ 15
KVQ 22
KVQ 28
KVQ 35

DANFOSS
AS4L170.10

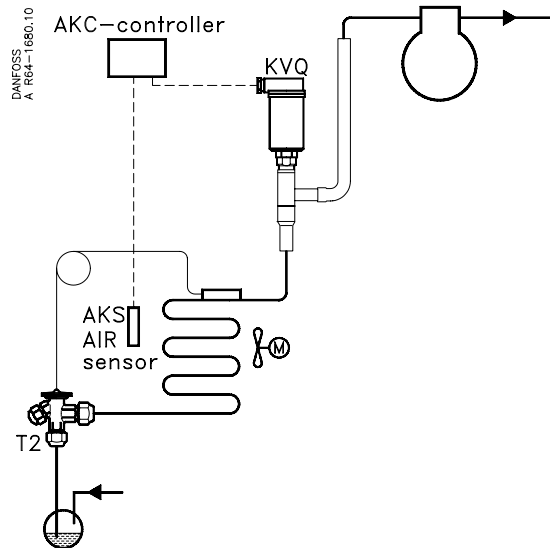
NEMA 4
Enclosure



Max. 40°C (104°F)
Min. -45°C (-49°F)

$t_{max.}$ (R134a, R22, R404A) = 35°C (95°F)
 $t_{min.}$ (R134a, R22, R404A) = -45°C (-49°F)

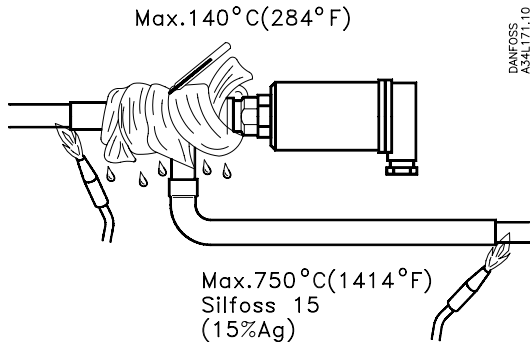
Application



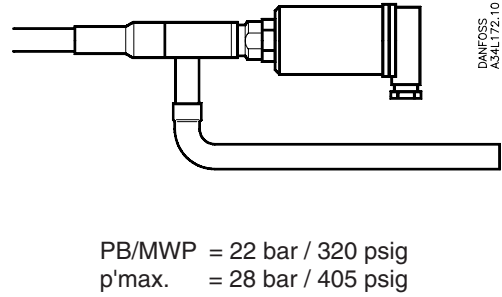
KVQ mounting (horizontal / vertical)

Defrosting system	Electr. defrost/Off-cycle defrost		Hot gas defrost			
	-45°C < t _{amb} < 40°C -49°F < t _{amb} < 104°F		t _{amb} > 0°C t _{amb} > 32°F		t _{amb} < 0°C t _{amb} < 32°F	
KVQ location						
KVQ orientation						

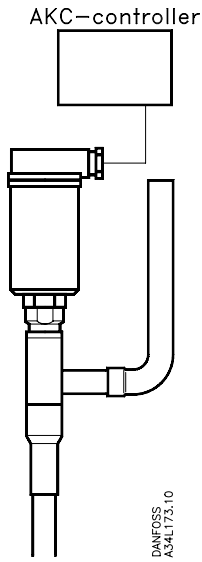
Soldering



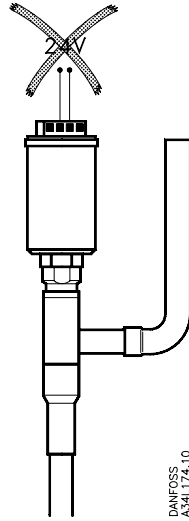
Max. pressure



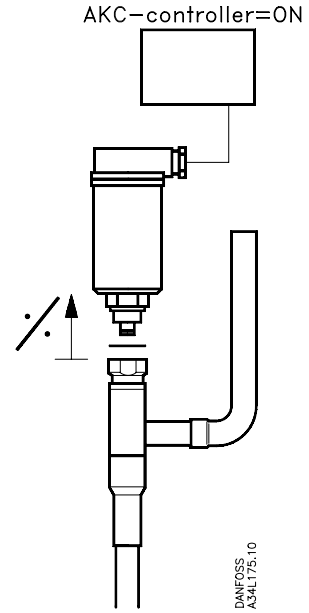
Connection



Warning



Do not supply 24 V directly
to valve



Do not apply power to
unassembled valve

Service

