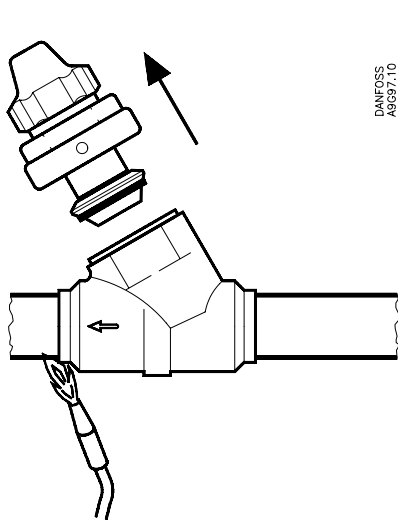




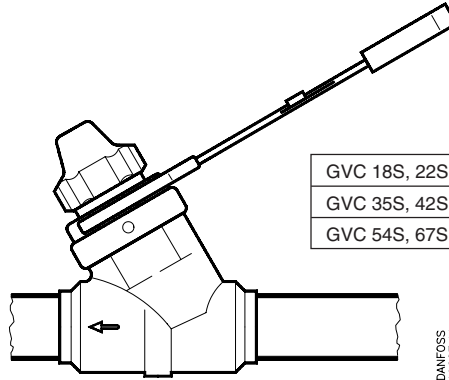
009R9696

009R9696

CFC, HCFC, HFC



DANFOSS
AG697,10



DANFOSS
AG697,11

GVC 18S, 22S, 28 S	40 Nm
GVC 35S, 42S	90 Nm
GVC 54S, 67S	160 Nm