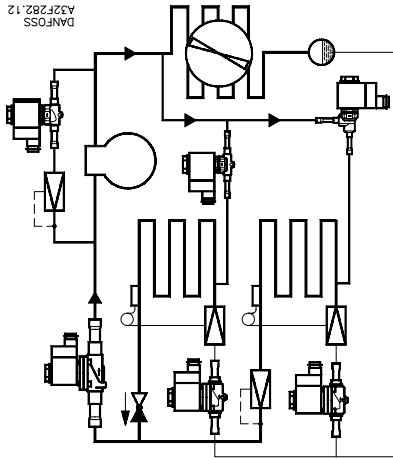


032R9507



DANFOSS  
A32F282.12

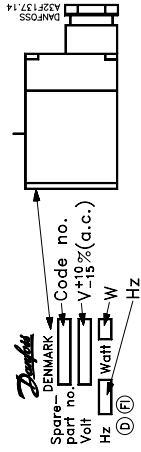
HFC, HCFC, CFC.

Temperature of medium:

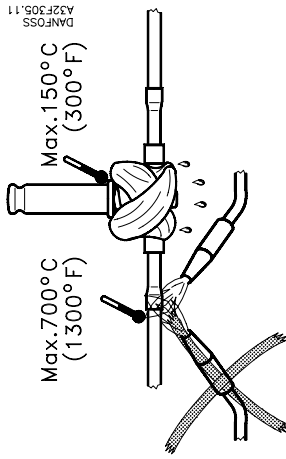
-40 → +135 °C (-40 → +275 °F)

Max. working pressure:

PB = 35 bar (MWP = 500 psig)

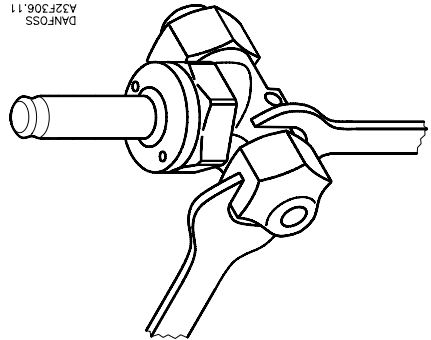


DANFOSS  
A32F305.11

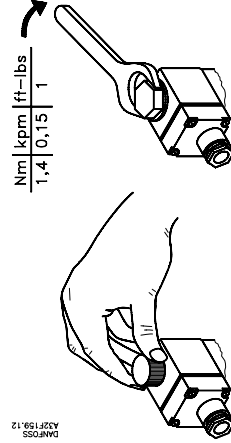


NC	10 W a.c. EVH 2	42N	t <sub>max</sub> 80 °C (175 °F)
	10/12 W a.c.	18Z	t <sub>max</sub> 80 °C (175 °F)
NC	20 W d.c.	18Z	t <sub>max</sub> 50 °C (120 °F)

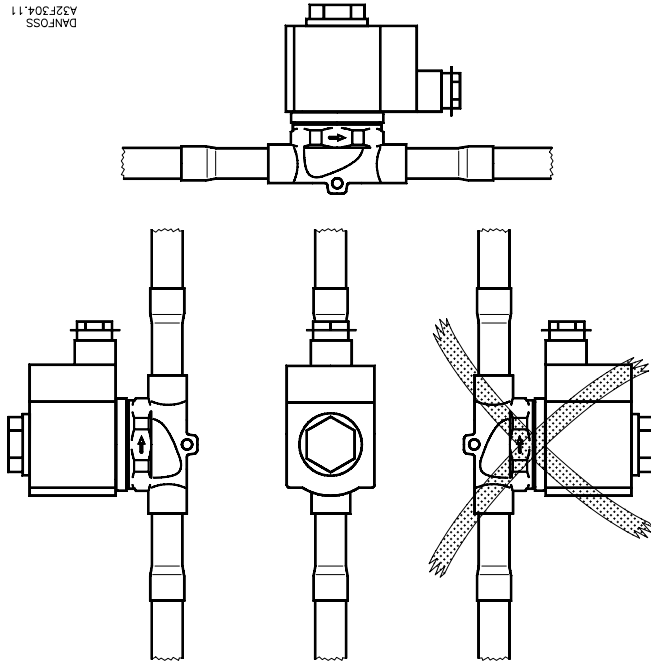
DANFOSS  
A32F306.11



DANFOSS  
A32F158.12

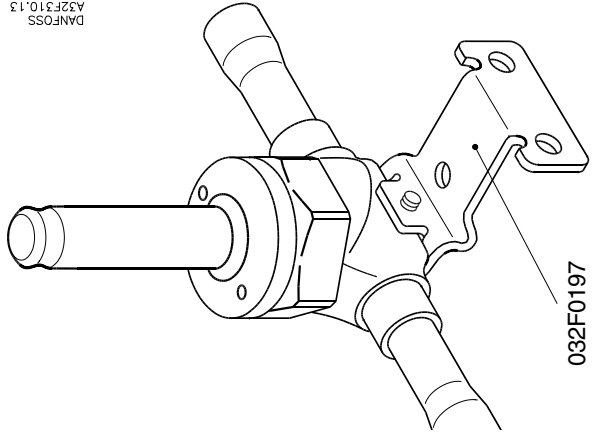


032R9507



DANFOSS  
A32F304.11

DANFOSS  
A32F310.13



032F0197