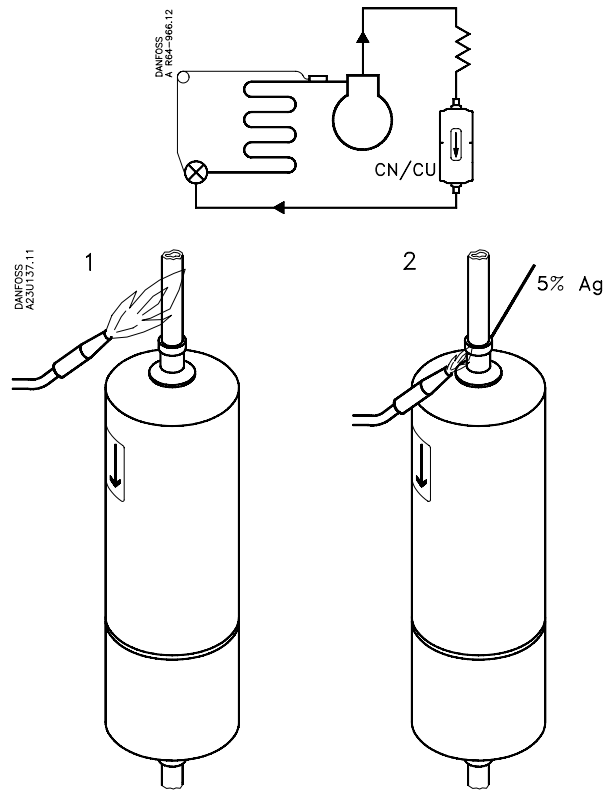


023R9511

For R 22, R 134a, R 404A, HFC refrigerants  
PB / MWP = 35 bar / 500 psig

023R9511



© Danfoss A/S (AC-SP.jp)

KI:51-D1:02 → RI.6A.E1.02 02-1999