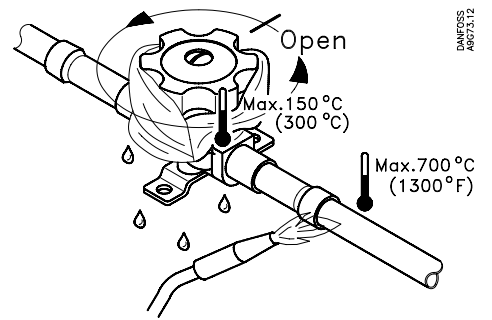
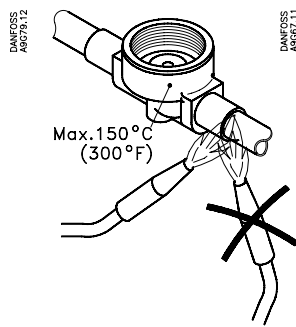
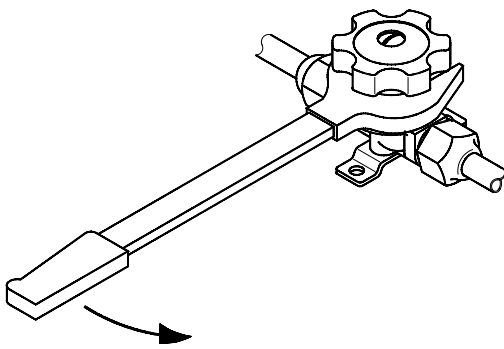
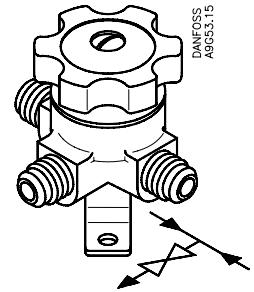
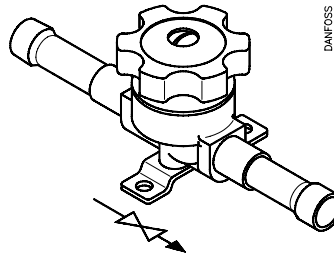
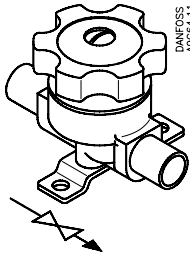
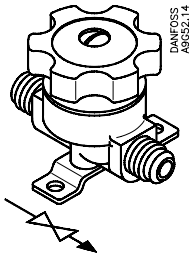


009R9663

009R9663

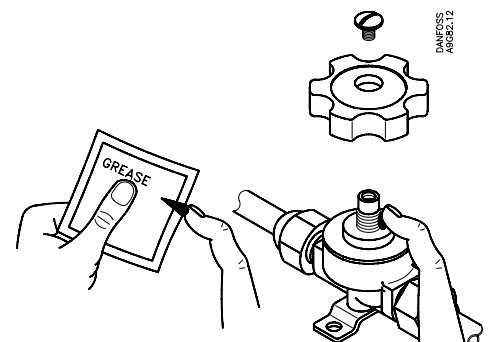
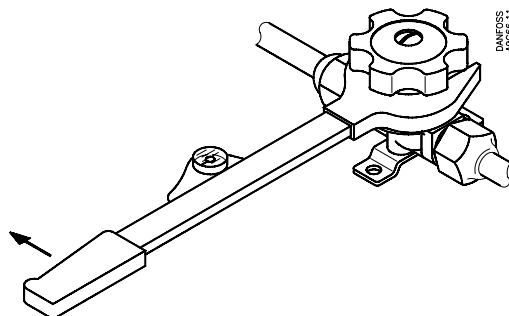
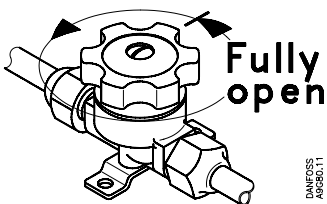
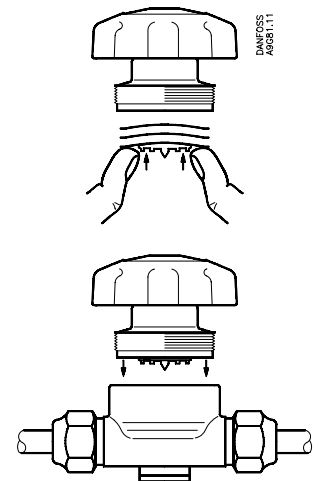
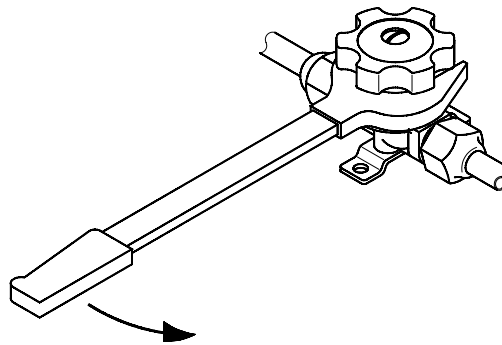
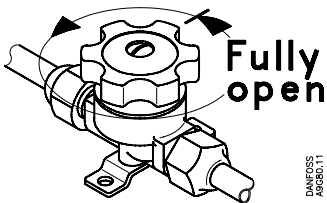
HFC, HCFC, CFC  
 -55 → +100°C / -70 → +212°F

-1 → 21 bar / 30 in.Hg → 305 psig  
 PB = 28 bar / MWP = 400 psig



© Danfoss A/S

RI.6E.A3.00 02-1999



BM 6 → 10	60 Nm / 44 ft-lbs
BM 12	90 Nm / 66 ft-lbs
BM 16 → 22	140 Nm / 103 ft-lbs