

**Type 111 – standard (DN 40-150)**

**Type 112 – equipped with forced closing device (DN 40-100)**

(Type 114 - equipped with position indicator (DN 40-100) – contact Danfoss)

- 15 Gasket for cone
- 16 Gasket for cone
- 17 Sealing ring for guide piece
- 18 Sealing ring for piston
- 19 O-ring for guide piece
- 20 O-ring for piston
- 21 O-ring/gasket (only for size 125) for housing / guide piece
- 22 O-ring for cylinder
- 23 O-ring for end cover type 111-114
- 24 O-ring for cap type 111-114
- 33 Gasket for spindle
- 59 O-ring for bonnet type 112
- 61 Solenoid valve
- 63 Bolts for solenoid valve
- 65 O-ring for connection part/solenoid valve
- 66 O-ring for nipple
- 67 Gasket for nipple
- 70 Gasket for cap type 112
- 71 Packing gland incl. gaskets type 112
- 71a Gaskets complete for packing gland

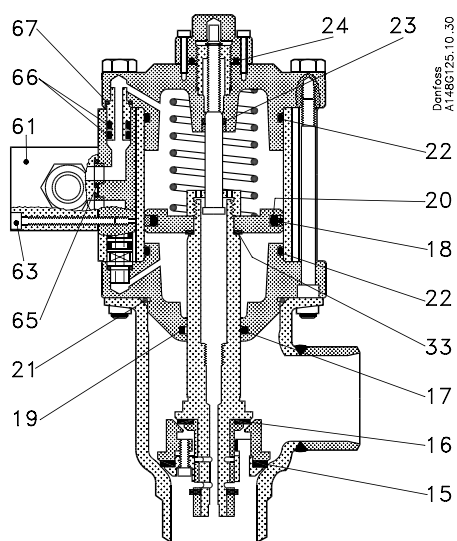


Fig. 1, GPS 40-150, type 111 standard  
GPS 40-100, type 114 with position indicator – contact Danfoss

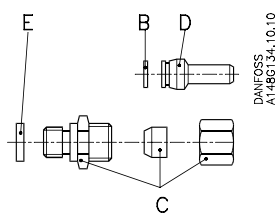


Fig. 2, External / pilot connection complete

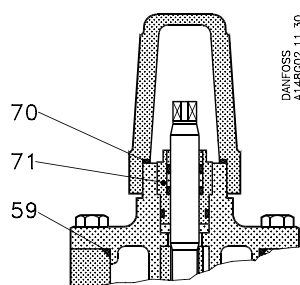
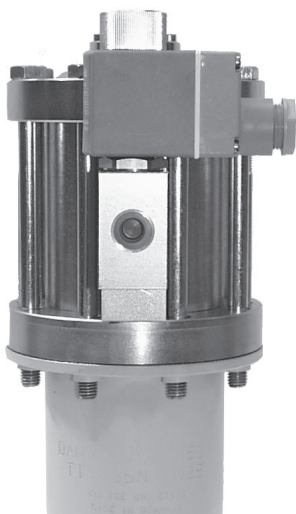


Fig. 3, GPS 40-100, type 112 with forced closing device

Description	Type	Pos.	Size 40-50 (1 1/2-2 in.)	Size 65-80 (2 1/2-3 in.)	Size 1000 (4 in.)	Size 125 (5 in.)	Size 150 (6 in.)
			Code no.	Code no.	Code no.	Code no.	Code no.
<b>Spare part kit</b> for top/housing and cap (dismounting set)	all	21-24-70	<b>148G3218</b>	<b>148G3219</b>	<b>148G3220</b>	<b>148G3221</b>	<b>148G3222</b>
<b>Repair kit</b> , complete set of gaskets	all	15-16-17-18-19-20-21-22-23-24-33-59-65-66-67-70-71a	<b>2453+047</b>	<b>2453+048</b>	<b>2453+049</b>	<b>2453+055</b>	<b>2453+068</b>
<b>Packing gland</b> , incl. gaskets (with O-rings)	112	71	<b>148B4087</b>	<b>148B4088</b>	<b>148B4088</b>	–	–
<b>Grease for placking gland</b> (tube)	–	–	<b>2452+143</b>	<b>2452+143</b>	<b>2452+143</b>	–	–
<b>Complete pilot valve block type EVRB</b> , without coils	all	61-63-65	<b>2453+103</b>	<b>2453+103</b>	<b>2453+103</b>	<b>2453+103</b>	<b>2453+103</b>
<b>Coil set</b> , 24 V, 50 Hz	all	–	<b>2425+377</b>	<b>2425+377</b>	<b>2425+377</b>	<b>2425+377</b>	<b>2425+377</b>
<b>Coil set</b> , 110 V, 60 Hz	all	–	<b>2425+378</b>	<b>2425+378</b>	<b>2425+378</b>	<b>2425+378</b>	<b>2425+378</b>
<b>Coil set</b> , 220/230 V, 50 Hz	all	–	<b>2425+379</b>	<b>2425+379</b>	<b>2425+379</b>	<b>2425+379</b>	<b>2425+379</b>
<b>Coil set</b> , 220 V, 60 Hz	all	–	<b>2425+380</b>	<b>2425+380</b>	<b>2425+380</b>	<b>2425+380</b>	<b>2425+380</b>
<b>External/pilot connection complete</b>	all	Fig. 2	<b>2469+009</b>	<b>2469+009</b>	<b>2469+009</b>	<b>2469+009</b>	<b>2469+009</b>

Previous version – GPS with EVRF pilot valve block



New version – GPS with EVRB pilot valve block



**For old 3 way pilot valve type EVRF must be rebuilt to the new valve block type EVRB.**

Description	Type	Size 40-50 (1 1/2-2 in.)	Size 65-80 (2 1/2-3 in.)	Size 100 (4 in.)	Size 125 (5 in.)	Size 150 (6 in.)
		Code no.	Code no.	Code no.	Code no.	Code no.
Rebuilding set EVRF → EVRB, 24 V, 50 Hz	all	2453+106	2453+110	2453+114	2453+114	2453+114
Rebuilding set EVRF → EVRB, 110 V, 60 Hz	all	2453+107	2453+111	2453+115	2453+115	2453+115
Rebuilding set EVRF → EVRB, 220/230 V, 50 Hz	all	2453+108	2453+112	2453+116	2453+116	2453+116
Rebuilding set EVRF → EVRB, 220 V, 60 Hz	all	2453+109	2453+113	2453+117	2453+117	2453+117