

Fig. 1, Push rod assembly for PML, sizes 32 to 65

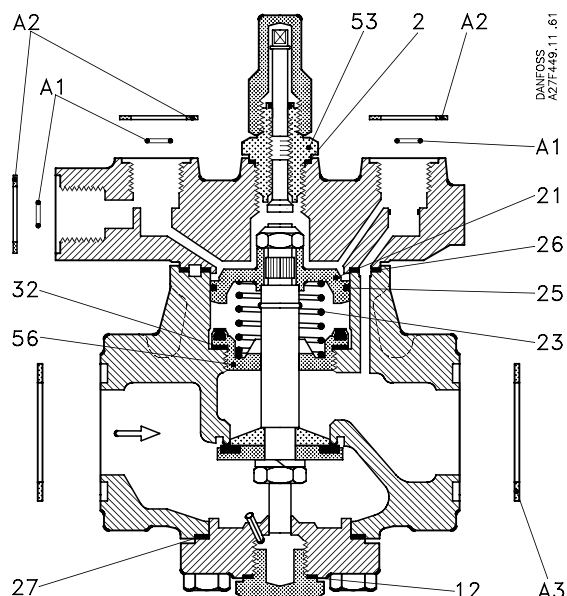


Fig. 2, PML, sizes 32 to 65

Spare parts for EVM pilot valves, see RX4XB

Description	Qty	Size 32	Size 40	Size 50	Size 65
		Code no.	Code no.	Code no.	Code no.
Push rod assembly, fig. 1		027F0266	027F0267	027F0268	027F0269
Pos. 1 Push rod	1				
2 Cone	1				
3 Valve plate	1				
4 Clamping plate	1				
5 Nut	1				
6 Spring washer	1				
7 Nut	1				
8 Locking ring	1				
Valve plate, fig. 1		027F0685	027F0686	027F0687	027F0688
Pos. 3 Valve plate	1				
Manual operation, fig. 2		027F2130	027F2130	027F2130	027F2130
Pos. 2 Alu gasket	1				
53 Manual operation	1				
Piston ring, fig. 2		027F0651	027F0652	027F0653	027F0654
Pos. 25 Piston ring	1				
Piston assembly, fig. 2		027F2153	027F2154	027F2155	027F2156
Pos. 21 Piston	1				
25 Piston ring	1				
Main spring, fig. 2		027F0906	027F0907	027F0908	027F0909
Pos. 23 Spring	1				

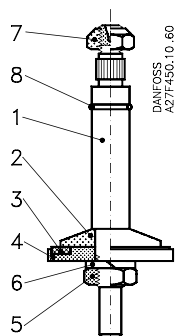


Fig. 1, Push rod assembly for PML, sizes 32 to 65

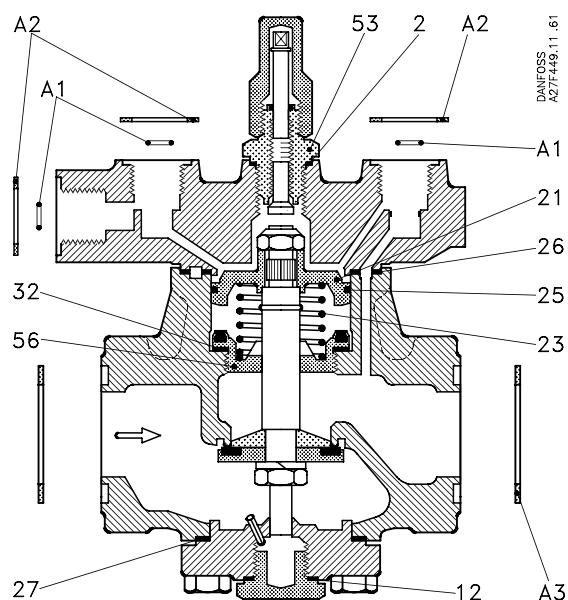


Fig. 2, PML, sizes 32 to 65

Spare parts for EVM pilot valves, see RX4XB

		Size 32	Size 40	Size 50	Size 65
Description	Qty	Code no.	Code no.	Code no.	Code no.
Gasket set, fig. 2		027F2171	027F2172	027F2173	027F2174
Pos. 26 Gasket	1				
27 Gasket	1				
Seal kit, fig. 2		027F0087	027F0088	027F0089	027F0090
Pos. 2 Alu gasket	1				
12 Gasket	1				
26 Gasket	1				
27 Gasket	1				
A1 O-ring	3				
A2 Gasket	3				
A3 Gasket	2				
Intermediate plate, fig. 2		027F0106	027F0107	027F0108	027F0109
Pos. 32 Gasket	1				
56 Intermediate plate	1				
Flange gaskets, fig. 2		027F2176	027F2177	027F2178	027F2179
Pos. A3 Gasket	2				

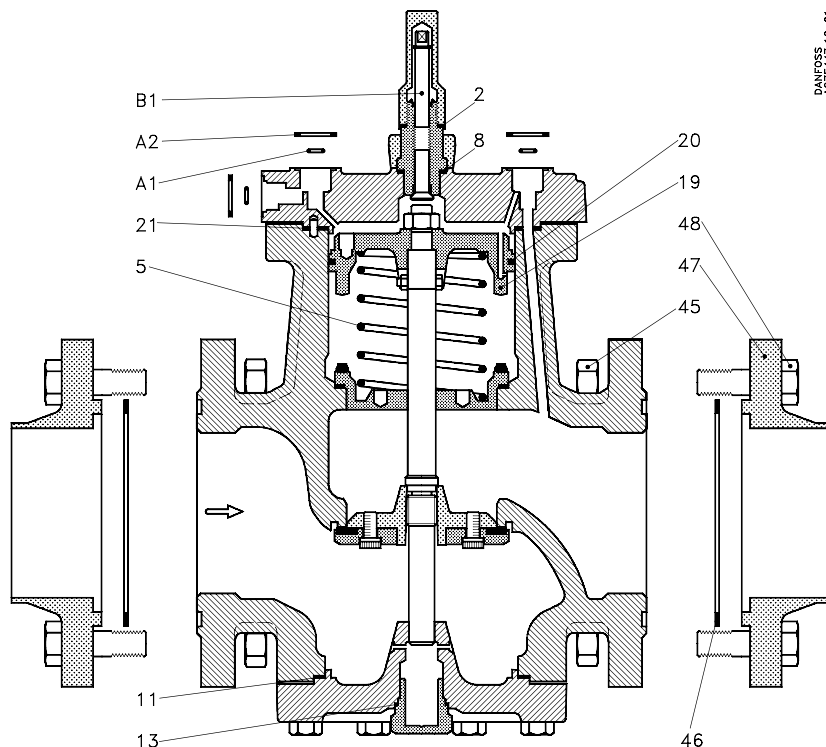
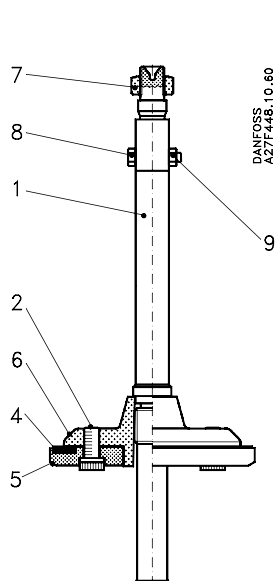


Fig. 3, Push rod assembly for PML, sizes 80 to 125

Fig. 4, PML, sizes 80 to 125

Spare parts for EVM pilot valves, see RX4XB

Description	Qty	Size 80	Size 100	Size 125
		Code no.	Code no.	Code no.
Push rod assembly, fig. 3		027F1209	027F1210	027F1211
Pos. 1 Push rod	1			
2 Screw	6			
4 Valve plate	1			
5 Clamping plate	1			
6 Cone	1			
7 Nut	1			
8 Screw	1			
9 Nut	1			
Valve plate, fig. 3		027F0695	027F0696	027F0697
Pos. 4 Valve plate	1			
Manual operation, fig. 4		027F2134	027F2134	027F2134
Pos. 8 Gasket	1			
B1 Manual operation	1			
Piston ring, fig. 4		027F1246	027F1247	027F1248
Pos. 20 Piston ring	1			
Piston assembly, fig. 4		027F2157	027F2158	027F2159
Pos. 19 Piston	1			
20 Piston ring	1			
Main spring, fig. 4		027F2143	027F2144	027F2145
Pos. 5 Spring	1			

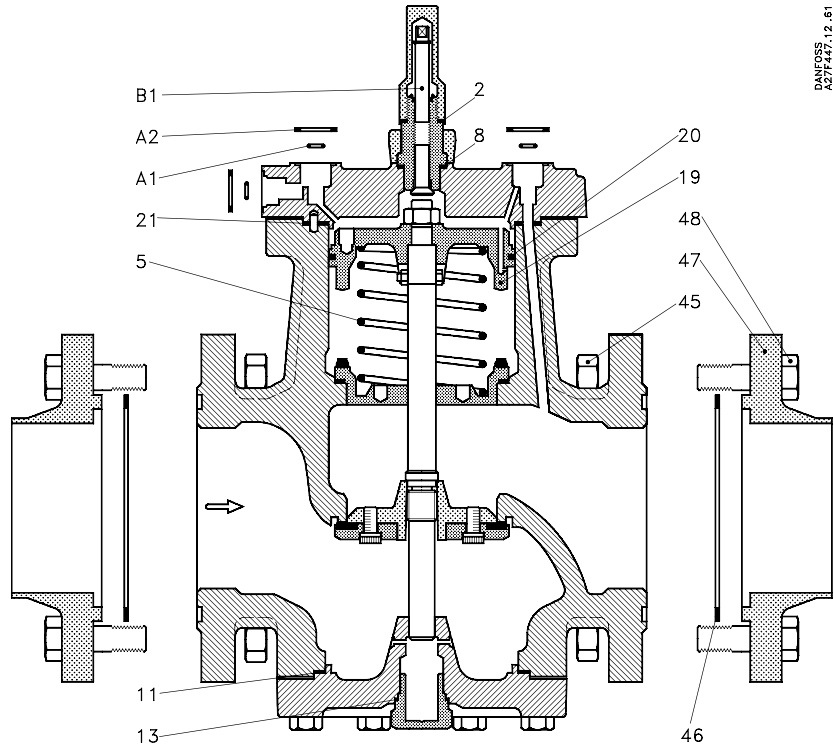
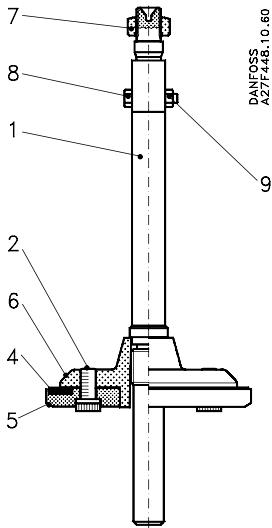


Fig. 3, Push rod assembly for PML, sizes 80 to 125

Fig. 4, PML, sizes 80 to 125

Spare parts for EVM pilot valves, see RX4XB

Description	Qty	Size 80	Size 100	Size 125
		Code no.	Code no.	Code no.
Gasket set, fig. 4		027F2183	027F2184	027F2185
Pos. 11 Gasket	1			
21 Gasket	1			
Seal kit, fig. 4		027F1233	027F1234	027F1235
Pos. 2 Alu gasket	1			
8 Gasket	1			
11 Gasket	1			
13 Alu gasket	1			
21 Gasket	1			
46 Flange gasket	2			
A1 O-ring	3			
A2 Gasket	2			
Flange set, fig. 4		027F2123	027F2124	027F2125
Pos. 47 Flange	2			
Flange gaskets, fig. 4		027F2120	027F2121	027F2122
Pos. 46 Gasket	2			
Flange bolts and nuts, fig. 4		027F2126	027F2127	027F2128
Pos. 45 Nut	16			
48 Bolt	16			

Description	Qty	Code no.	
	External pilot connector		
	Weld, PML 32 to PML 65, ID 12.7 mm/OD 18 mm	027F1048	
	Weld, PML 80 to PML 125, ID 12.7 mm/OD 18 mm	027F1049	
	1/4 NPT, PML 32 to PML 65	027B2065	
	1/4 NPT, PML 80 to PML 125	027B2066	
	Nipple assembly	1	
Damping orifice, dia. 1.0 mm	1		
O-ring	1		
Gasket	1		
	Seal kit for external pilot connector		
	Alu gasket	4	027F1004
	Gasket	4	
	O-ring	4	