

Fig. 1

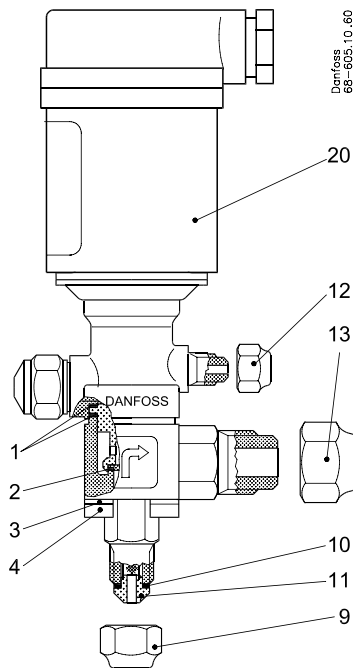


Fig. 2

Description	Qty	Min. delivery qty (industrial pack)	Code no.
Seal kit, figs. 1 and 2			068B0675
Pos. 1 Gasket	2		
2 O-ring	1		
Filter assembly, fig. 2			068B0171
Pos. 10 Gasket	1		
11 Filter	1		
Reducer flare nut, fig. 2			
Pos. 9 1/2 in. - 3/8 in. / 10 mm		10	011L1142
Flare nut, fig. 2			
Pos. 9 1/2 in. or 12 mm		10	011L1103
13 3/8 in., 15 or 16 mm		10	011L1167
12 1/4 in. or 6 mm		10	011L1101
Screws and washers, fig. 1 and fig. 2			068B0018
Pos. 3 Stainless steel washer	4		
4 Stainless steel screw	4		
Actuator, figs. 1 and 2			
Pos. 20 For flare connection	1		068F3209
For solder connection	1		068F3211

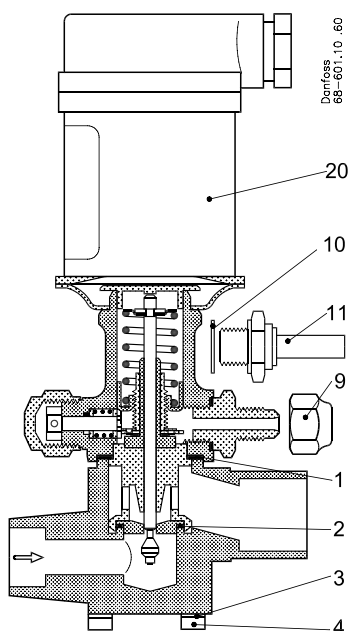


Fig. 1

Description	Qty	Min. delivery qty (industrial pack)	Code no.
Seal kit, figs. 1, 2 and 3			068B0676
Pos. 1 Gasket	1		
2 O-ring	1		
Flange gasket, fig. 2			020-2133
Pos. 12 for TQ 20	2		
Flare nut, figs. 1, 2 and 3			011L1101
Pos. 9 1/4 in. or 6 mm		10	
Solder connector, figs. 1, 2 and 3 for 1/4 in. ext. equalization line			068B0170
Pos. 10 Gasket	1		
11 Connector	1		
Screws and washers, figs. 1 and 2 for straightway and flange bodies			068B0017
Pos. 3 Stainless steel washer	4		
4 Stainless steel screw	4		
Screws and washers, fig. 3 for angleway bodies			068B0018
Pos. 3 Stainless steel washer	4		
4 Stainless steel screw	4		
Actuator, figs. 1, 2 and 3			068F3207
Pos. 20 For flare connection	1		

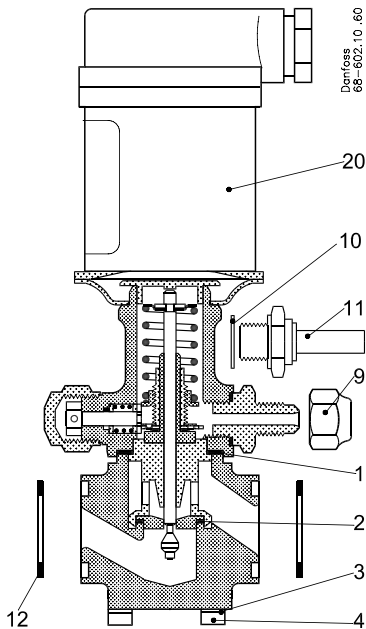


Fig. 2

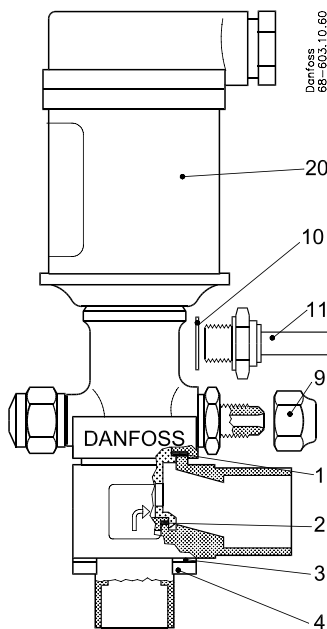


Fig. 3

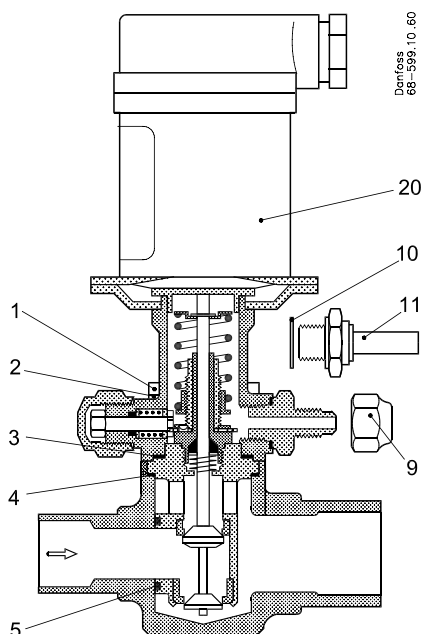


Fig. 1

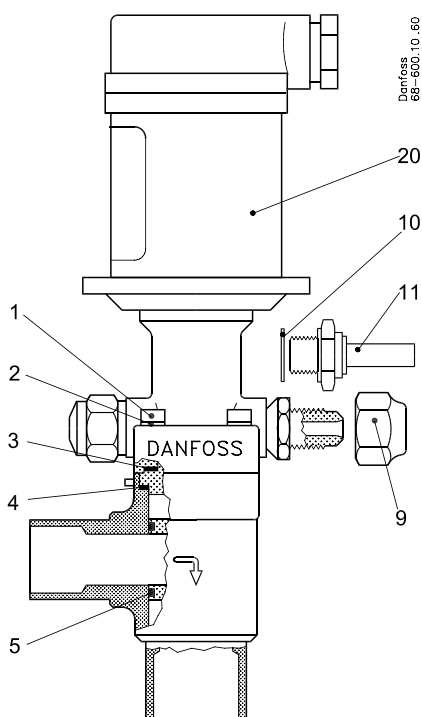


Fig. 2

Description	Qty	Min. delivery qty (industrial pack)	Code no.
Seal kit, figs. 1 and 2			068G0050
Pos. 3 Gasket	1		
4 Gasket	1		
5 O-ring	1		
Flare nut, figs. 1 and 2			011L1101
Pos. 9 1/4 in. or 6 mm		10	
Solder connector, figs. 1 and 2			068B0170
For 1/4 in. external equalization line			
Pos. 10 Gasket	1		
11 Connector	1		
Screws and washers, fig. 1 and 2			068B0020
Pos. 1 Screw	4		
2 Washer	4		
Screws and washers, fig. 1 and 2			068B0514
Pos. 1 Stainless steel screw	4		
2 Stainless steel washer	4		
Actuator, figs. 1 and 2			068F3208
Pos. 20 For flare connection	1		