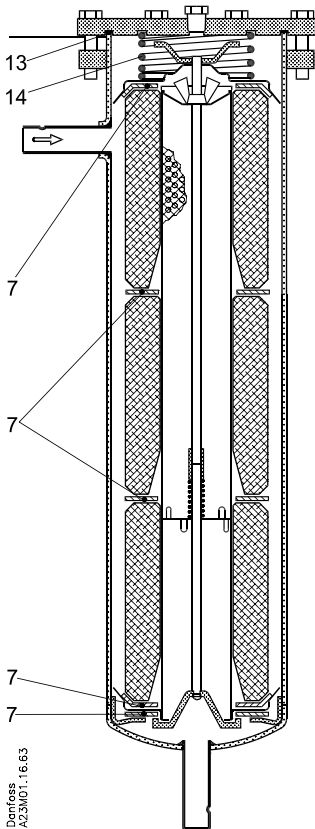
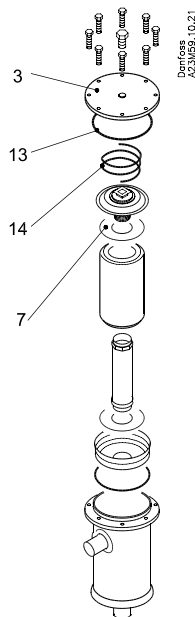


Type A, DCR with 1-2 core/block holder

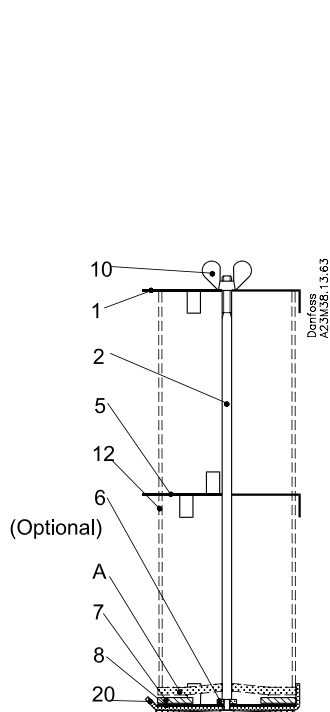


Type B, DCR with 1 - 4 core/block holder

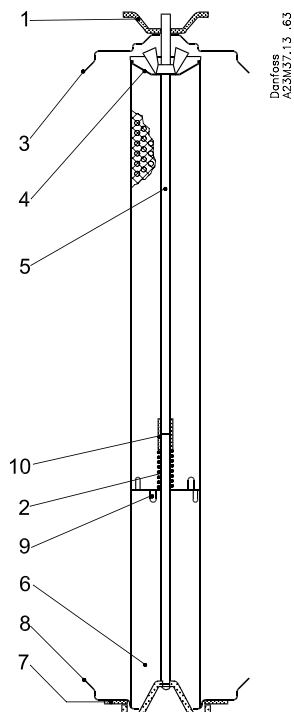
Description	Qty	Code no.
Gasket for cover, Pos. 13 Ø121.8 × Ø113.6 × 0.8 mm Suitable for: Danfoss DCR, Alco ADKS, Sporlan C, Catch All, Henry V, Parker P, Carly BCY	1 10	023U0055 023U2015
Gasket for cover, Pos. 13 Ø115.5 × Ø107.5 × 1.6 mm Suitable for: Hansa GT, Castel 441—	1	023U0056
Spring for cover, type A + B, Pos. 14 Ø77.5 × 57 mm	1	023U2019
Gasket for cover, Pos. 13 Ø123.5 × Ø115.0 × 1.6 mm Suitable for: KMP K	1	023U0057
Felt gasket, Pos. 7 Ø95.5 × Ø45.5 × 1.8 mm	1	023U2018
Gasket for cover, Pos. 13 Ø121.8 × Ø113.6 × 1.5 mm, Heavy Duty and NH ₃	1	023U0058
Felt gasket, Pos. 7 Ø95.5 × Ø45.5 × 2 mm NH ₃	1	023U2024
Top cover with plug, Pos. 3	1	023U7906
Top cover without plug, Pos. 3	1	023U7907
Spring for cover, type C, Pos. 14 Ø51.5 × 60 mm	1	023U7908



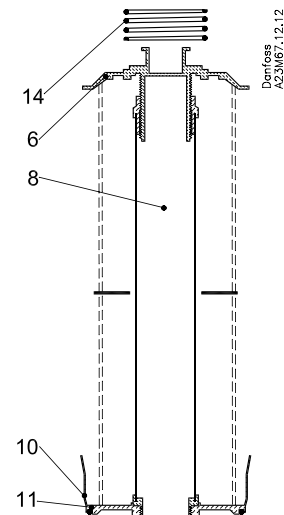
Type C, DCR with 1 - 4 core/block holder



Type A, 1 - 2 core/block holder



Type B, 1 - 4 core/block holder



Type C, 1 - 4 core/block holder

Description	Qty	1-core	2-core	3-core	4-core
		Code no.	Code no.	Code no.	Code no.
1 - 2 core/block holder, Type A					
Pos. 1 Plate	1	023U1044	023U1045		
2 Bolt	1				
5 Intermediate plate	1				
6 Washer	1				
7 Felt gasket	1				
8 Wire mesh	1				
10 Wing nut	1				
12 Cardboard spacer	1				
20 Plate	1				
A Filtration element	1				
1 - 4 core/block holder, Type B					
Pos. 1 Grip	1	023U1040	023U1041	023U1048	023U1049
2 Spring	1				
3 Clamp plate	1				
4 Cap	1				
5 Bolt	1				
6 Filter assembly	1				
7 Felt gasket	1				
8 Plate	1				
9 Joint plate, for separteable	1				
10 Nut, for separteable	1				
1 - 4 core/block holder, Type C					
Pos. 6 Top plate	1	023U7901	023U7902	023U7903	023U7903
8 Filter tube	1				
10 Bottom plate	1				
11 O-ring - Ø 98,5 x 3,5	1				
14 Spring	1				