

Fig. 1, Push rod assembly for MRV

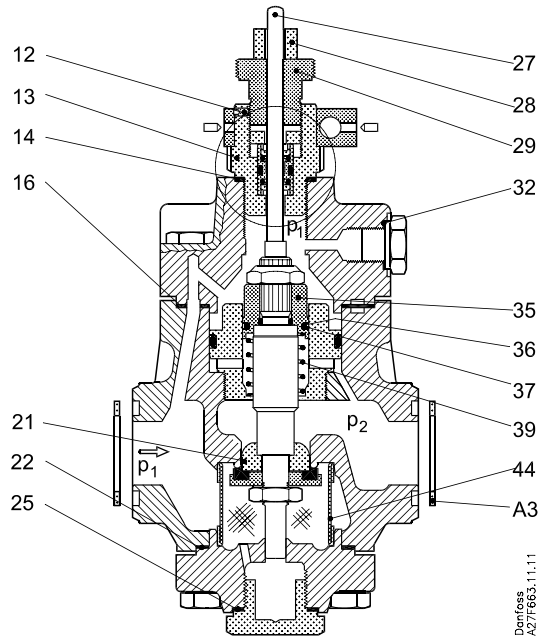


Fig. 2, MRV, sizes 5 to 25

Description	Qty	MRV 5	MRV 10	MRV 15	MRV 20	MRV 25
		Code no.	Code no.	Code no.	Code no.	Code no.
<b>Push rod assembly, fig 1</b>		<b>027F0160</b>	<b>027F0161</b>	<b>027F0162</b>	<b>027F0260</b>	<b>027F0261</b>
Pos. 19 Push rod	1					
21 Cone	1					
34 Lock nut	1					
38 O-ring	1					
41 Valve plate	1					
42 Clamping plate	1					
43 Nut	1					
<b>Valve plate, fig. 1</b>		<b>027F0683</b>	<b>027F0683</b>	<b>027F0683</b>	<b>027F0683</b>	<b>027F0683</b>
Pos. 41 Valve plate	1					
<b>Push pin seal assembly, fig. 2</b>		<b>027F3200</b>	<b>027F3200</b>	<b>027F3200</b>	<b>027F3200</b>	<b>027F3200</b>
Pos. 12 Locking screw	1					
13 Nipple	1					
14 Alu gasket	1					
27 Push pin	1					
29 Adjusting screw	1					
<b>Piston assembly, fig. 2</b>		<b>027F3201</b>	<b>027F3201</b>	<b>027F3201</b>	<b>027F3201</b>	<b>027F3201</b>
Pos. 35 Piston	1					
36 O-ring	1					
37 Piston seal	1					

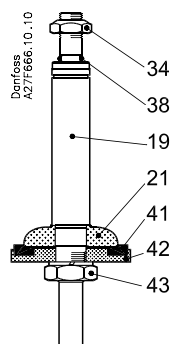


Fig. 1, Push rod assembly for MRV

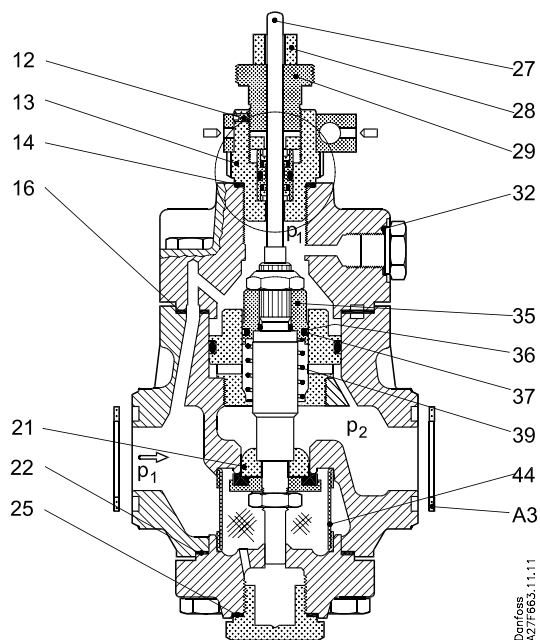


Fig. 2, MRV, sizes 5 to 25

		MRV 5	MRV 10	MRV 15	MRV 20	MRV 25
Description	Qty	Code no.	Code no.	Code no.	Code no.	Code no.
<b>Spring, fig. 2</b> Pos. 39 Spring	1	027F3223	027F3223	027F3223	027F3223	027F3223
<b>Seal kit, fig. 2</b> Pos. 14 Alu gasket (L) 16 Top gasket 22 Bottom gasket 25 Gasket 32 Alu gasket (S) A3 Gasket	1 1 1 2 1 2	027F3233	027F3233	027F3233	027F3233	027F3233
<b>Seal kit, fig. 2</b> Pos. 16 Top gasket 22 Bottom gasket	1 1	027F2170	027F2170	027F2170	027F2170	027F2170
<b>Distance piece, fig. 2</b> Pos. 28 Distance piece (MRV 5-25 only)	1	027F3238	027F3238	027F3238	027F3238	027F3238
<b>Flange gasket, fig. 2</b> Pos. A3 Gasket	2	027F2175	027F2175	027F2175	027F2175	027F2175
<b>Strainer, fig. 2</b> Pos. 44 Strainer	1	027F0657	027F0657	027F0657	027F0657	027F0657

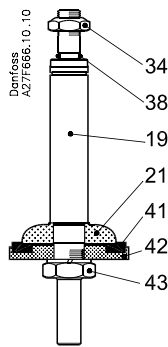


Fig. 1, Push rod assembly for MRV

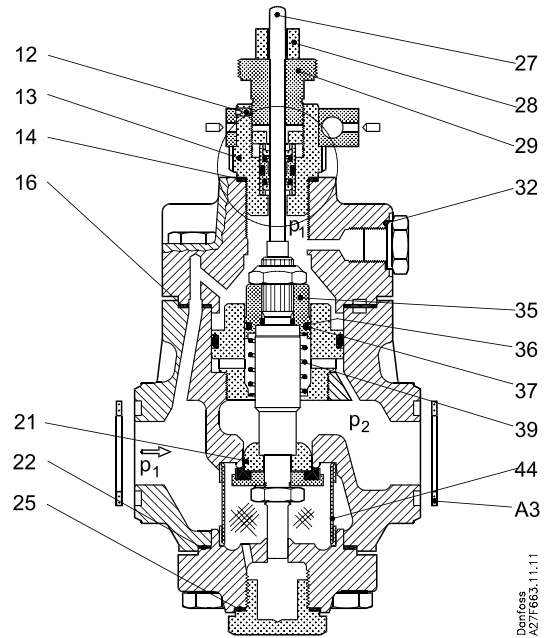


Fig. 2, MRV, sizes 32 to 65

Description	Qty	MRV 32	MRV 40	MRV 50	MRV 65
		Code no.	Code no.	Code no.	Code no.
<b>Push rod assembly, fig 1</b>		<b>027F0262</b>	<b>027F0263</b>	<b>027F0264</b>	<b>027F0265</b>
Pos. 19 Push rod	1				
21 Cone	1				
34 Lock nut	1				
38 O-ring	1				
41 Valve plate	1				
42 Clamping plate	1				
43 Nut	1				
<b>Valve plate, fig. 1</b>		<b>027F0684</b>	<b>027F0685</b>	<b>027F0686</b>	<b>027F0687</b>
Pos. 41 Valve plate	1				
<b>Push pin seal assembly, fig. 2</b>		<b>027F3200</b>	<b>027F3200</b>	<b>027F3200</b>	<b>027F3200</b>
Pos. 12 Locking screw	1				
13 Nipple	1				
14 Alu gasket	1				
27 Push pin	1				
29 Adjusting screw	1				
<b>Piston assembly, fig. 2</b>		<b>027F3202</b>	<b>027F3203</b>	<b>027F3204</b>	<b>027F3205</b>
Pos. 35 Piston	1				
36 O-ring	1				
37 Piston seal	1				

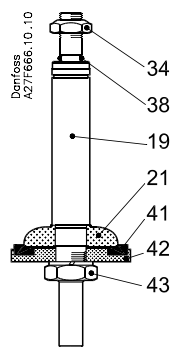


Fig. 1, Push rod assembly for MRV

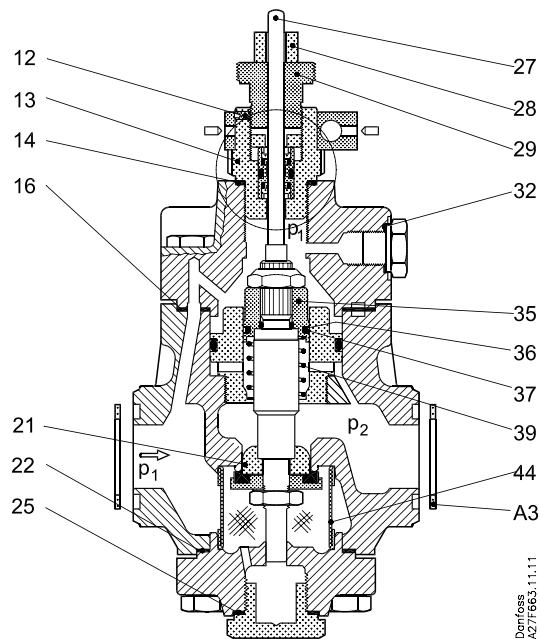


Fig. 2, MRV, sizes 32 to 65

Description	Qty	MRV 32	MRV 40	MRV 50	MRV 65
		Code no.	Code no.	Code no.	Code no.
<b>Spring, fig. 2</b> Pos. 39 Spring	1	<b>027F3224</b>	<b>027F3225</b>	<b>027F3226</b>	<b>027F3227</b>
<b>Seal kit, fig. 2</b> Pos. 14 Alu gasket (L) 16 Top gasket 22 Bottom gasket 25 Gasket 32 Alu gasket (S) A3 Gasket	1 1 1 2 1 2	<b>027F3234</b>	<b>027F3235</b>	<b>027F3236</b>	<b>027F3237</b>
<b>Seal kit, fig. 2</b> Pos. 16 Top gasket 22 Bottom gasket	1 1	<b>027F2171</b>	<b>027F2172</b>	<b>027F2173</b>	<b>027F2174</b>
<b>Flange gasket, fig. 2</b> Pos. A3 Gasket	2	<b>027F2176</b>	<b>027F2177</b>	<b>027F2178</b>	<b>027F2179</b>
<b>Strainer, fig. 2</b> Pos. 44 Strainer	1	<b>027F0658</b>	<b>027F0659</b>	<b>027F0660</b>	<b>027F0661</b>