

Fig. 1

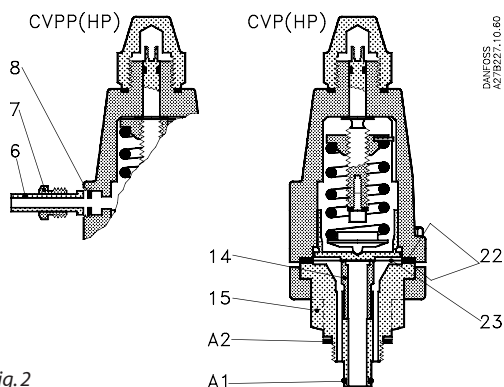


Fig. 2

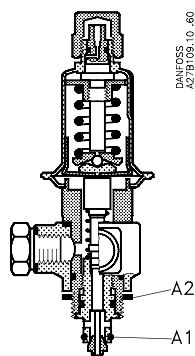


Fig. 3, CVC

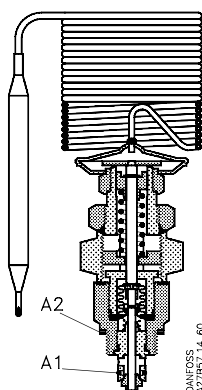


Fig. 4, CVT

Description	Qty	Code no.
CVP (LP) (low pressure) pressure controlled		
Seal kit, fig. 1		027F0666
Pos. A1 O-ring	1	
A2 Gasket	1	
CVPP (LP) (low pressure) differential pressure controlled		
Seal kit, fig. 1		027F0666
Pos. A1 O-ring	1	
A2 Gasket	1	
Connection kit, fig. 1		027B0120
Pos. 6 Nipple	1	
7 Connector	1	
8 Alu gasket	1	
CVP (HP) (high pressure) pressure controlled		
Seal kit, fig. 2		027F0666
Pos. A1 O-ring	1	
A2 Gasket	1	
Repair kit, fig. 2		027B0164
Pos. 14 Orifice	1	
15 Body	1	
22 Gasket	2	
23 Diaphragm	2	
CVPP (HP) (high pressure) differential pressure controlled		
Seal kit, fig. 2		027F0666
Pos. A1 O-ring	1	
A2 Gasket	1	
Connection kit, fig. 2		027B0120
Pos. 6 Nipple	1	
7 Connector	1	
8 Alu gasket	1	
Repair kit, fig. 2		027B0164
Pos. 14 Orifice	1	
15 Body	1	
22 Gasket	2	
23 Diaphragm	2	
CVC pressure controlled; with signal connector		
Seal kit, fig. 3		027F0666
Pos. A1 O-ring	1	
A2 Gasket	1	
Accessory		
Handwheel for adjustment	1	027B0039
CVT /CVTO temperature controlled		
Seal kit, fig. 4		027F0666
Pos. A1 O-ring	1	
A2 Gasket	1	