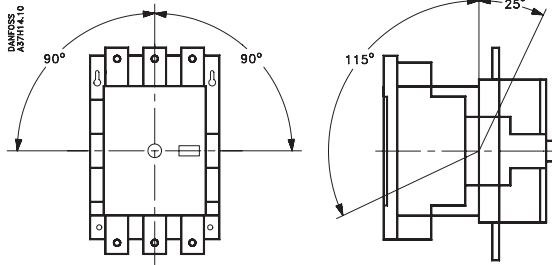
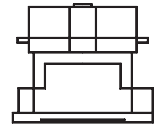
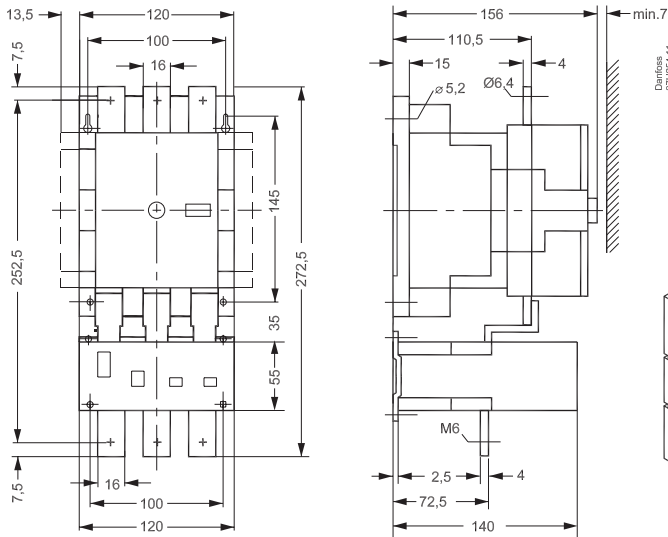
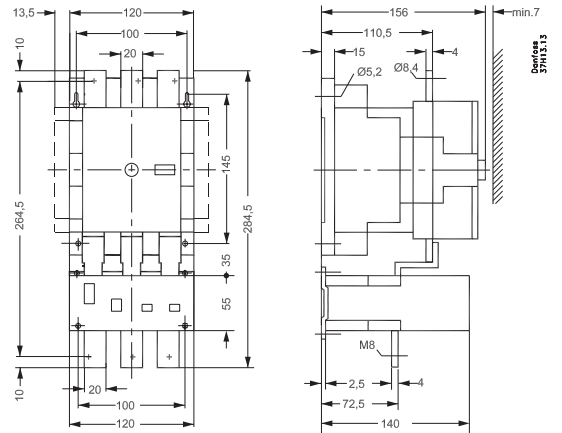


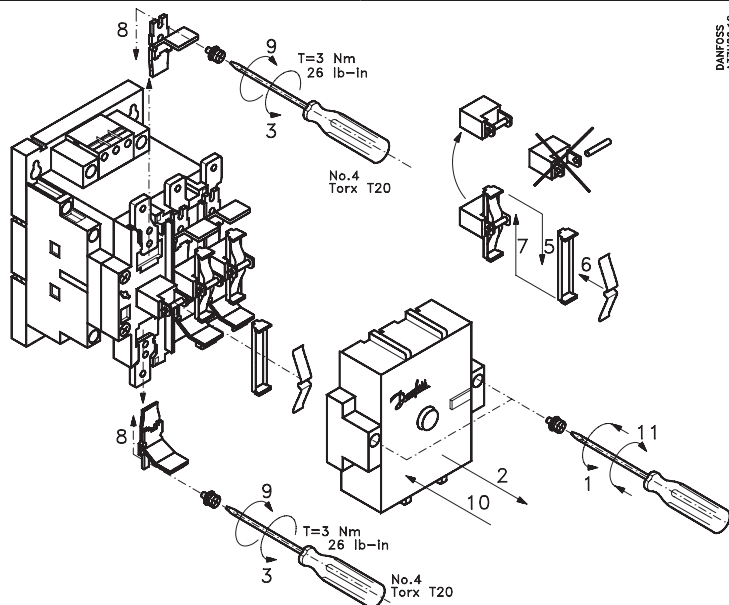
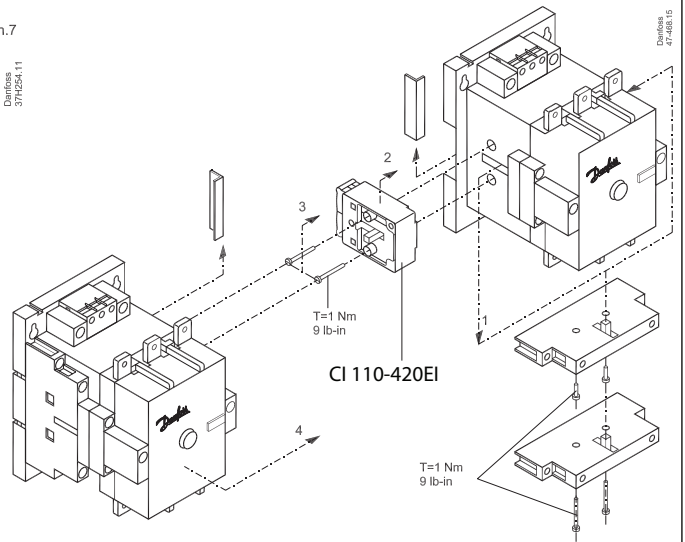
Styczniki CI 110/ CI 141 / CI 180 Przełączniki termiczne TI 180E



CI 141 / CI 180



CI 110 + TI 180



	①	③	CI 110		CI 141 / 180	
			10 mm	5 mm	13 mm	6 mm
			② T: 9 Nm (80 lb-in)		② T: 22 Nm (195 lb-in)	
			b 20 mm max. Ø 6.1 mm min. c 10 mm max. s 5 mm max.		b 25 mm max. Ø 8,3 mm min. c 12.5 mm max. s 5 mm max.	
CI 110 037H3244 			16-50 mm ² No.: 6-1/0 AWG <hr/> 1-95 mm ² 16 - 120 mm ²	3-9 x 16 mm <hr/> 3-12 x 16 mm	8...10 Nm or 70...90 lb-in.	
	DANFOSS A47-409.10		DANFOSS A47-405.10 2 x 1...4 mm ² x 1...2.5 mm ²		1.4 Nm	
			2 x No. 16 AWG ...12 AWG		12 lb in.	
CI 141 / 180 0373247 			16-50 mm ² <hr/> 16-120 mm ²	3-9 x 20 mm <hr/> 3-14 x 20 mm	10...12 Nm or 90...110 lb-in.	
	DANFOSS A47-409.10		DANFOSS A47-405.10 2 x 1...4 mm ² 2 x 1...2.5 mm ²		1.4 Nm	
			2 x No. 16 AWG...12 AWG		12 lb. in.	

